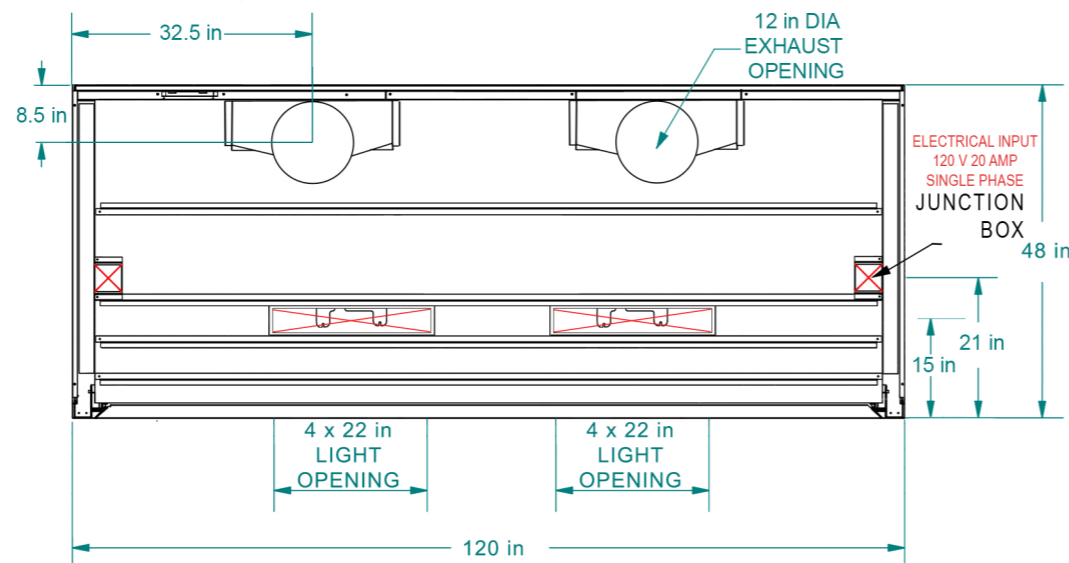
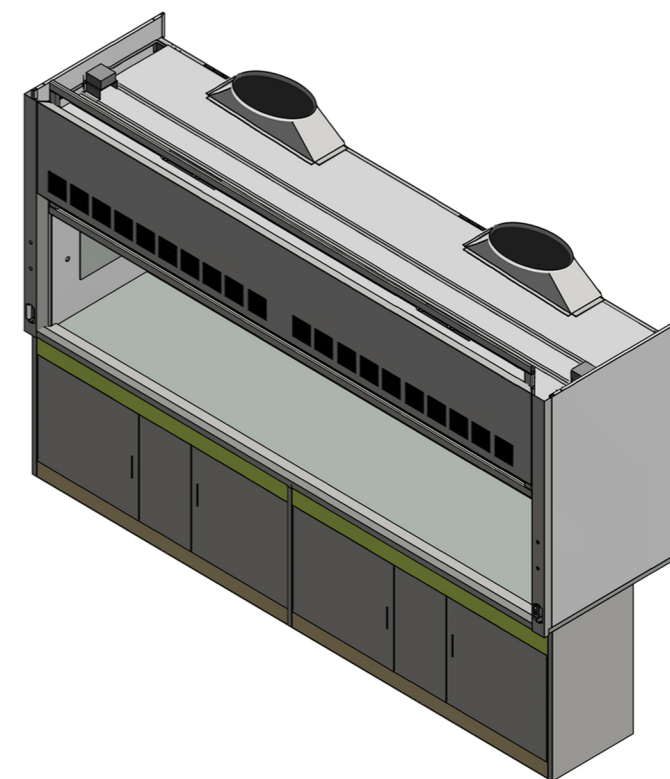


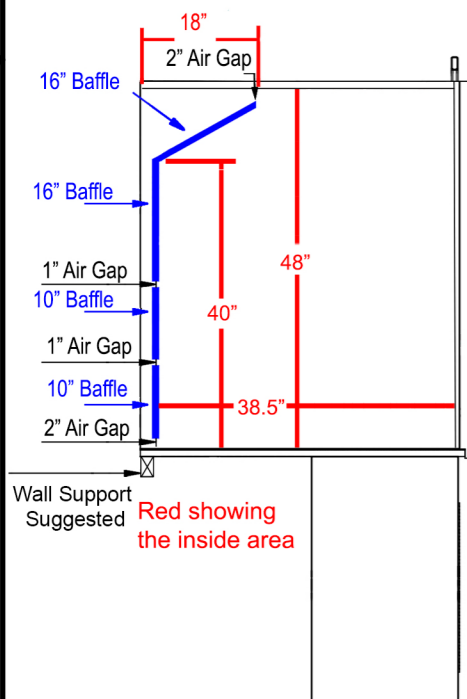
TOP VIEW



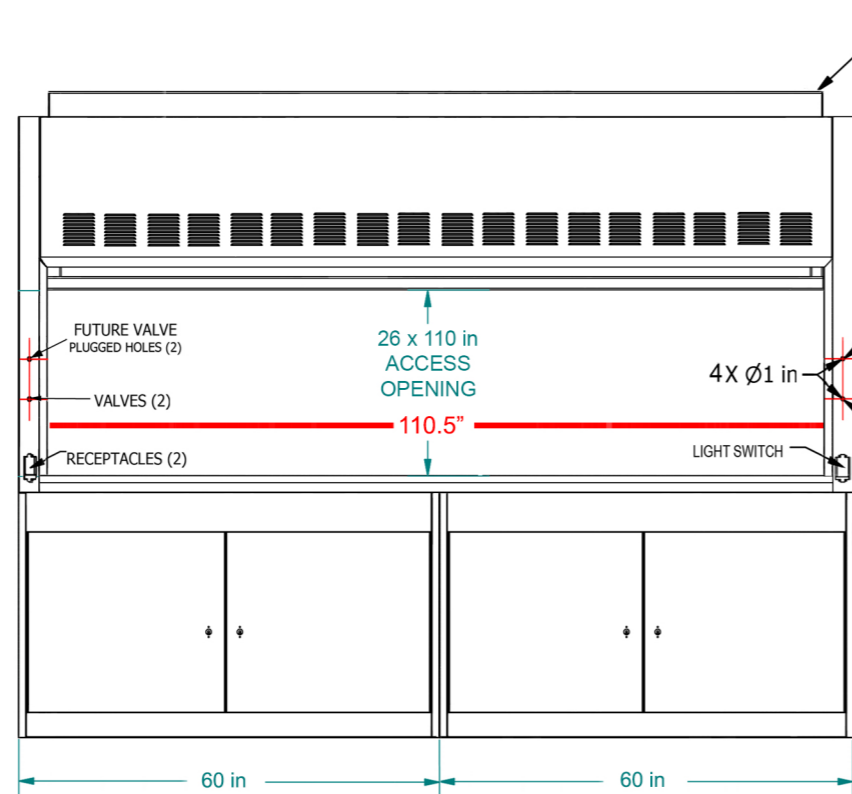
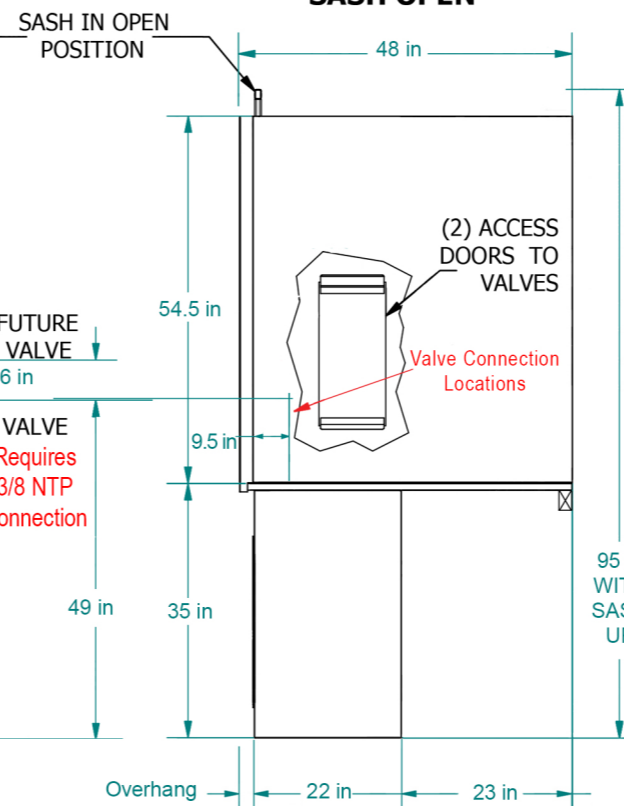
NOT TO SCALE



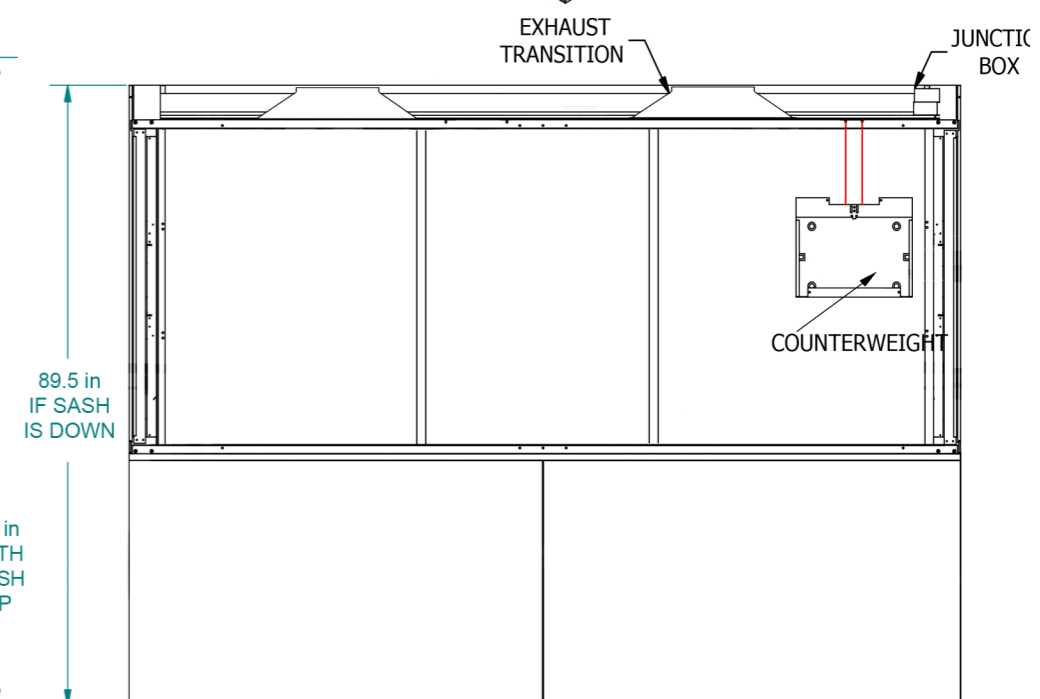
LEFT SIDE VIEW
SASH OPEN



RIGHT SIDE VIEW
SASH OPEN



FRONT VIEW
SASH OPEN



BACK VIEW
SASH CLOSED

10' x 4' FUME HOOD

FA FISHER AMERICAN

CLASSIFIED **UL**

(815)-670-6400