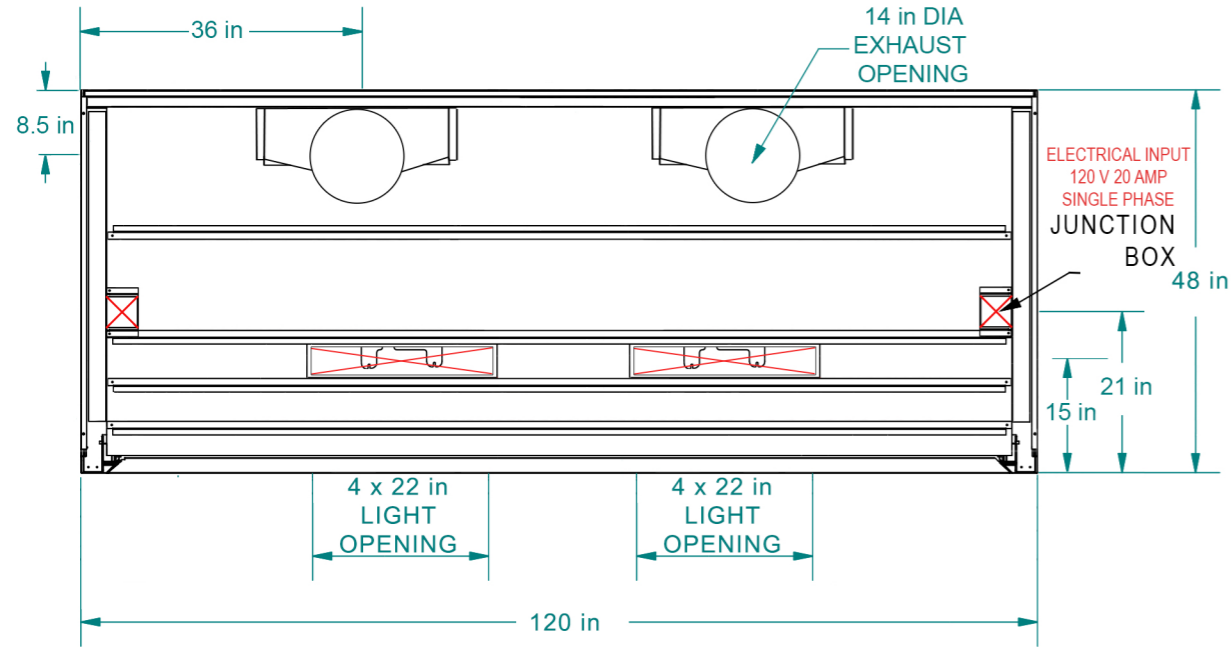
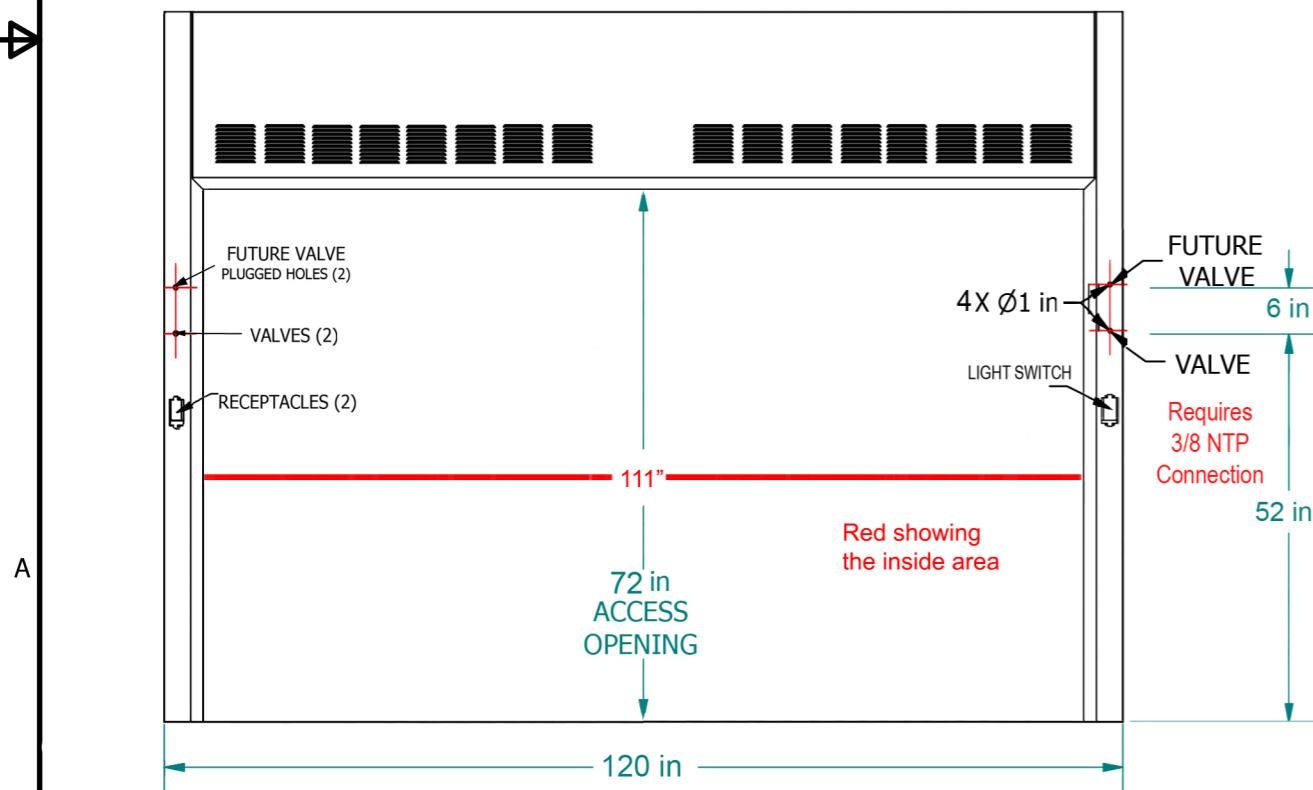
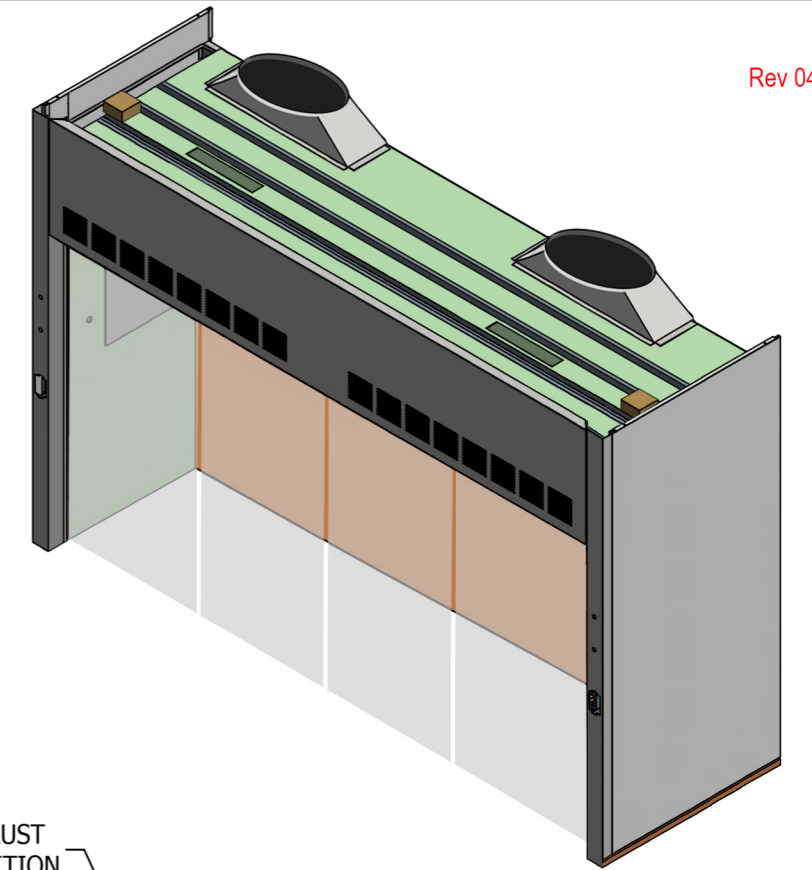


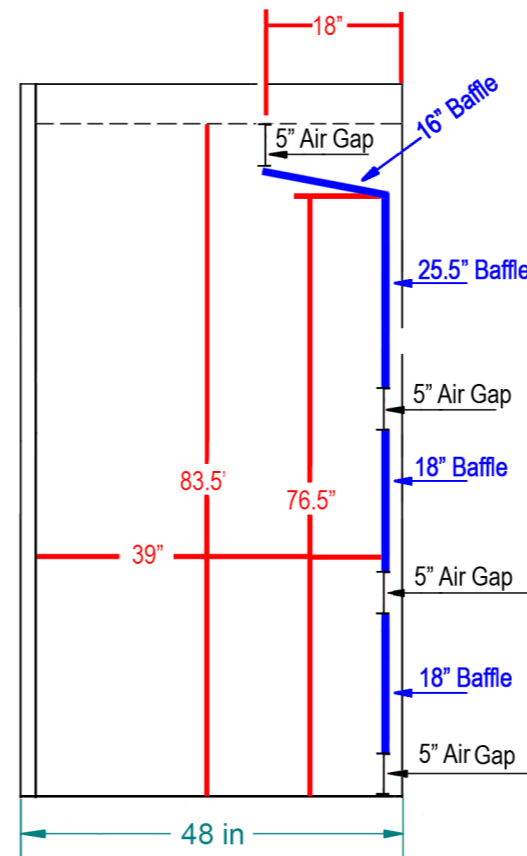
TOP VIEW



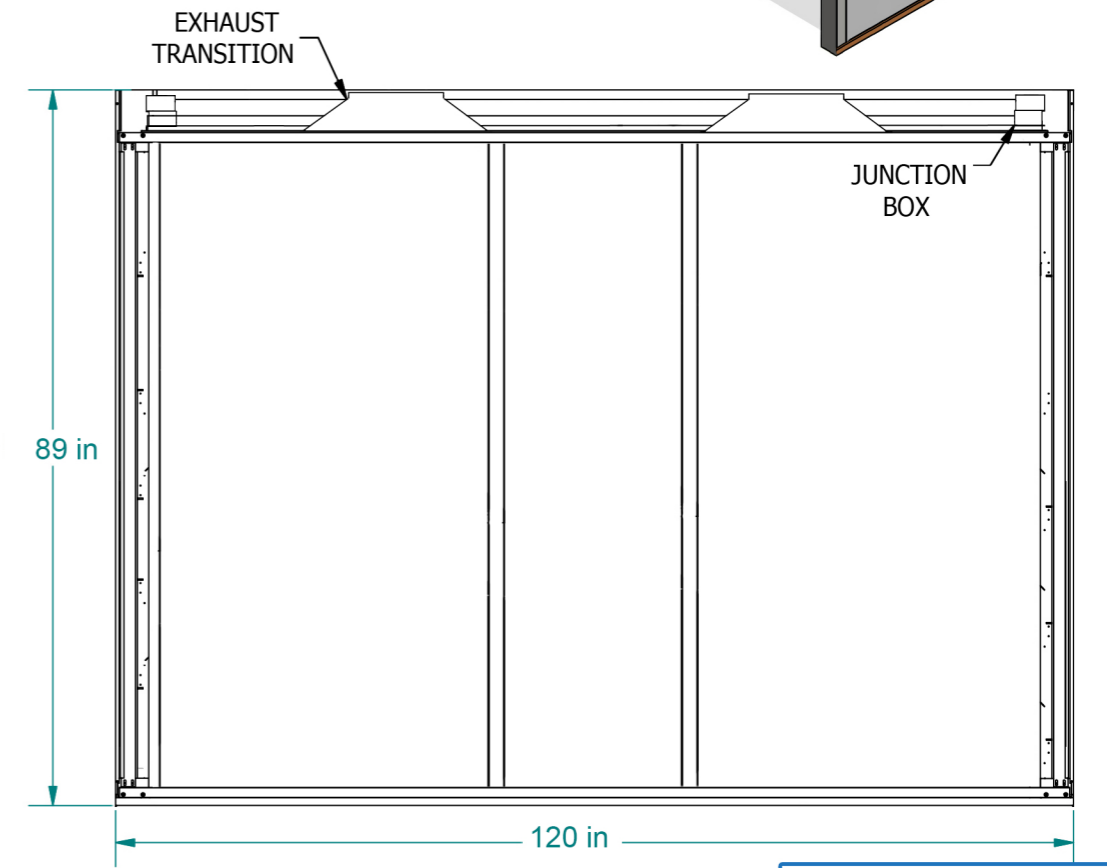
NOT TO SCALE



FRONT VIEW
SASH OPEN



RIGHT SIDE VIEW
SASH OPEN



BACK VIEW
SASH CLOSED

10' x 4' WALK-IN HOOD

FA FISHER AMERICAN CLASSIFIED UL

(815)-670-6400