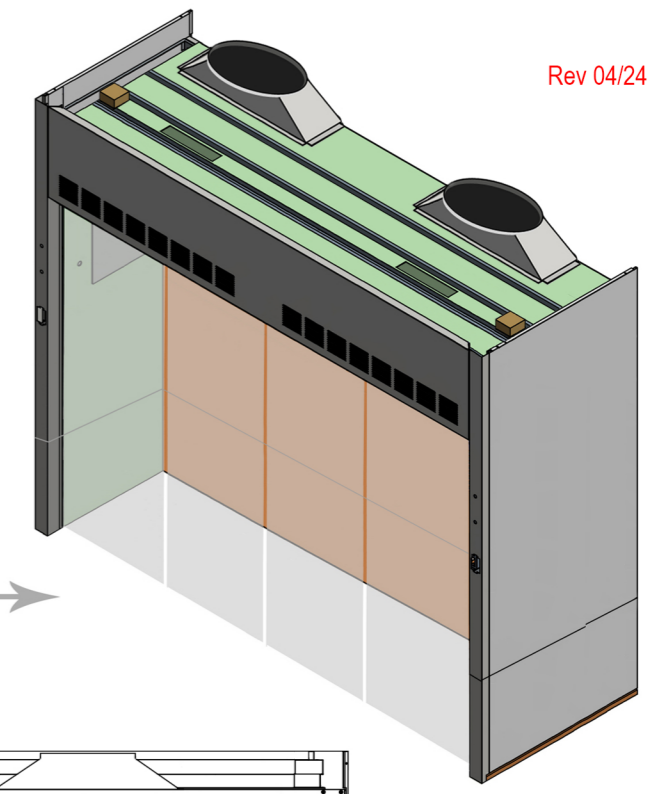
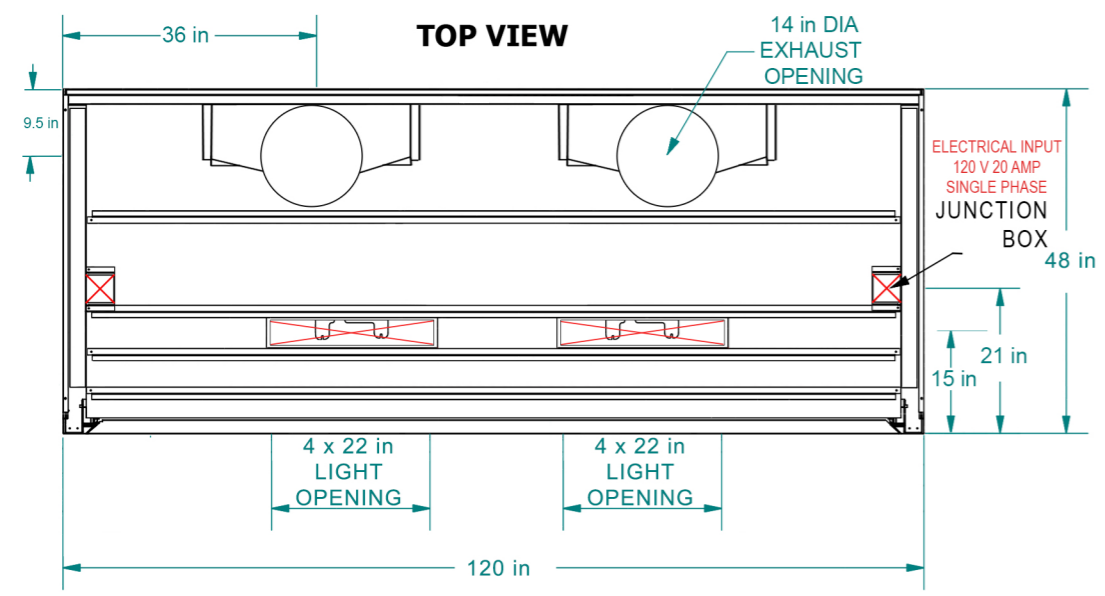


Rev 04/24

TOP VIEW



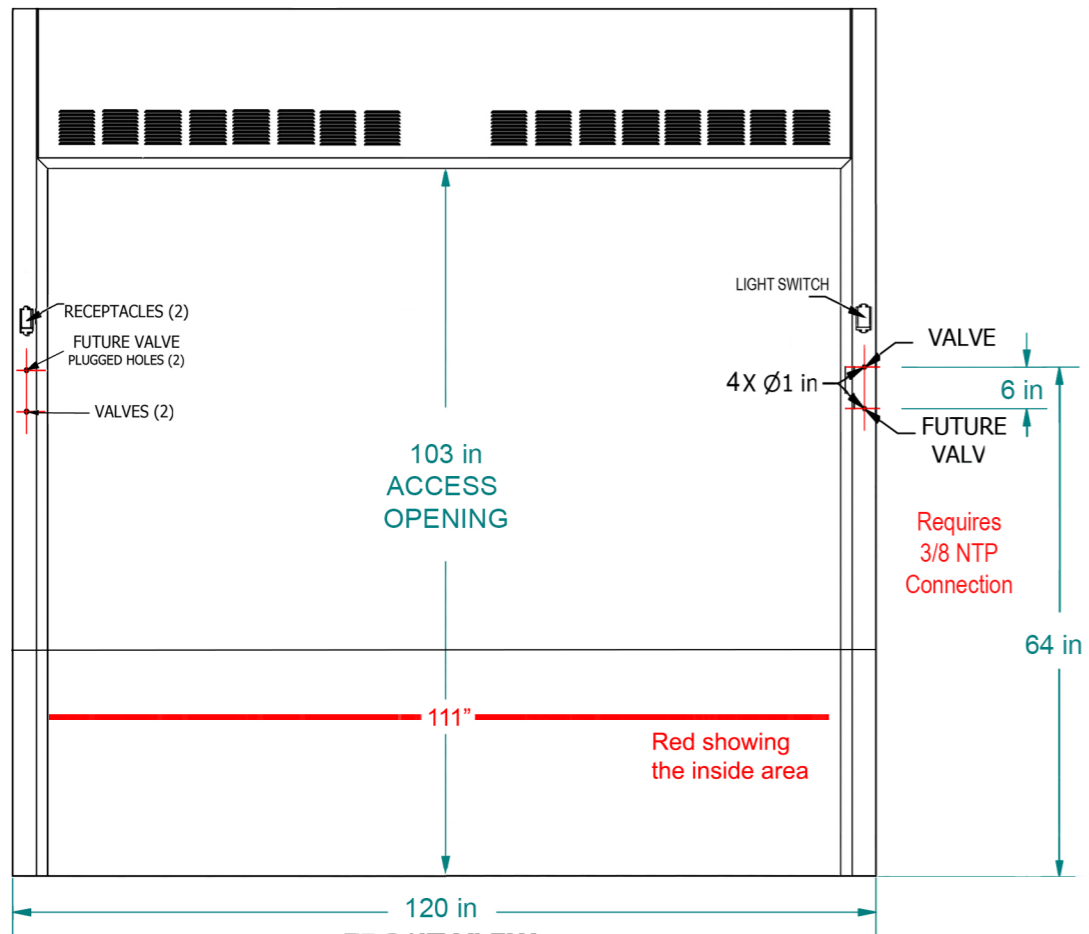
B

B

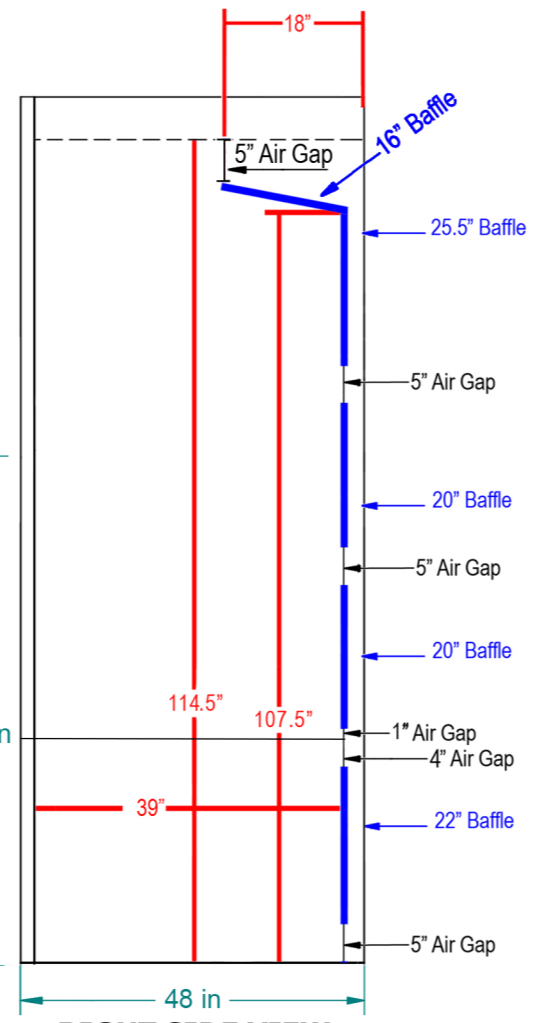
A

A

FRONT VIEW SASH OPEN



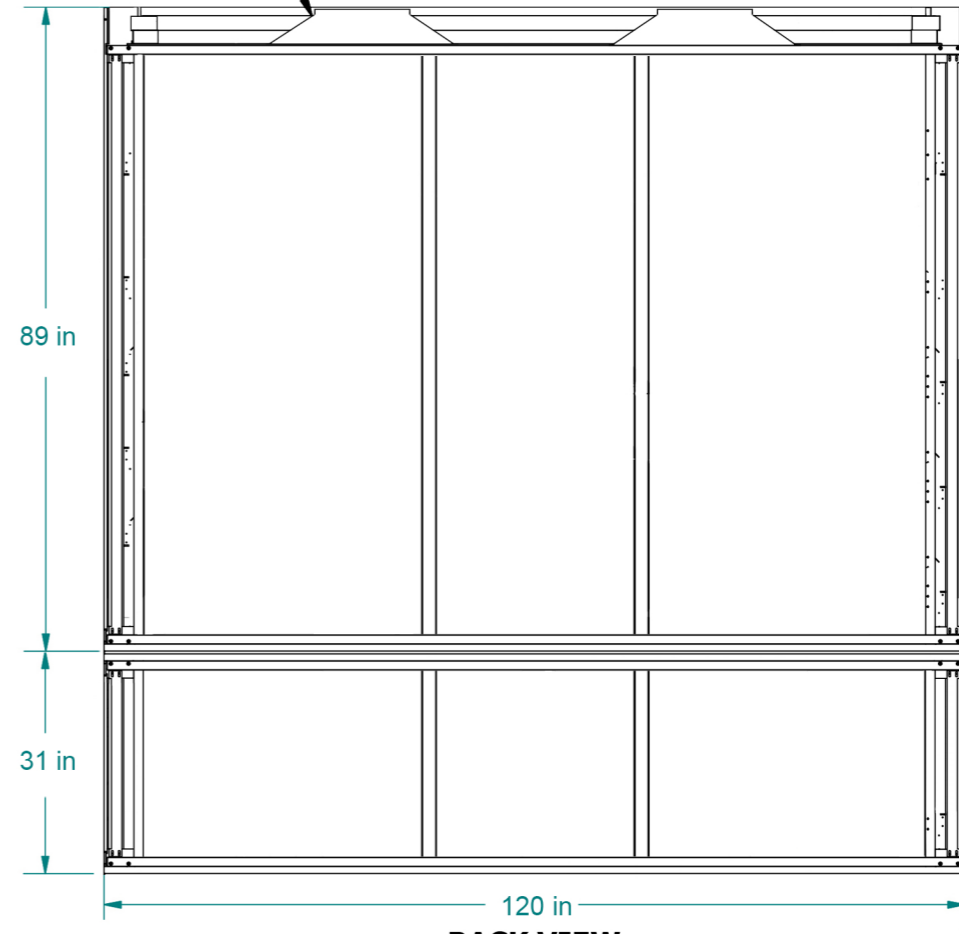
RIGHT SIDE VIEW SASH OPEN



EXHAUST TRANSITION

Four Sliding Doors

BACK VIEW SASH CLOSED



10' x 4' x 10' WALK-IN HOOD

FA FISHER AMERICAN

(815)-670-6400

4

3

2

1

