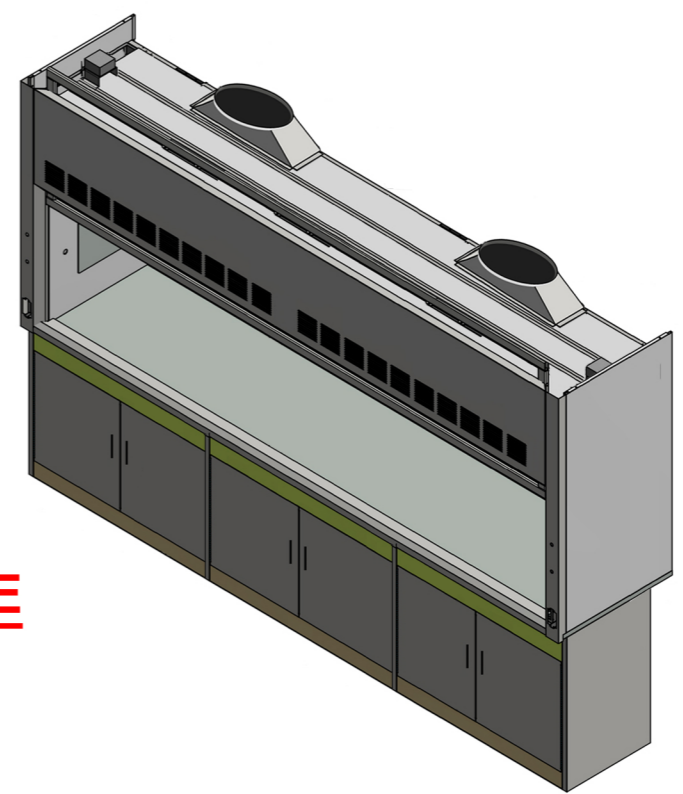
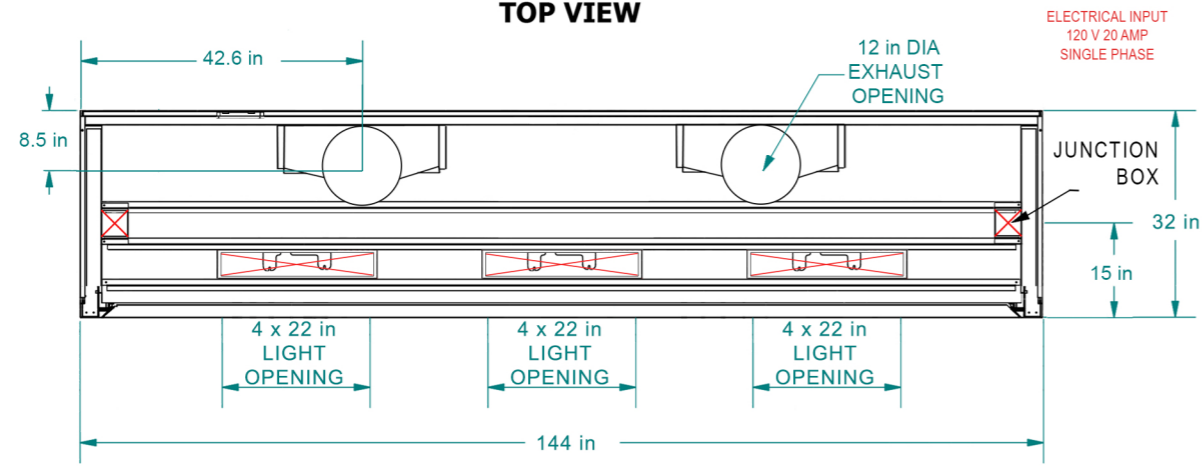


4 3 2 1

B

B

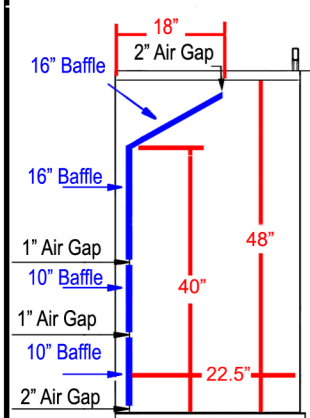
TOP VIEW



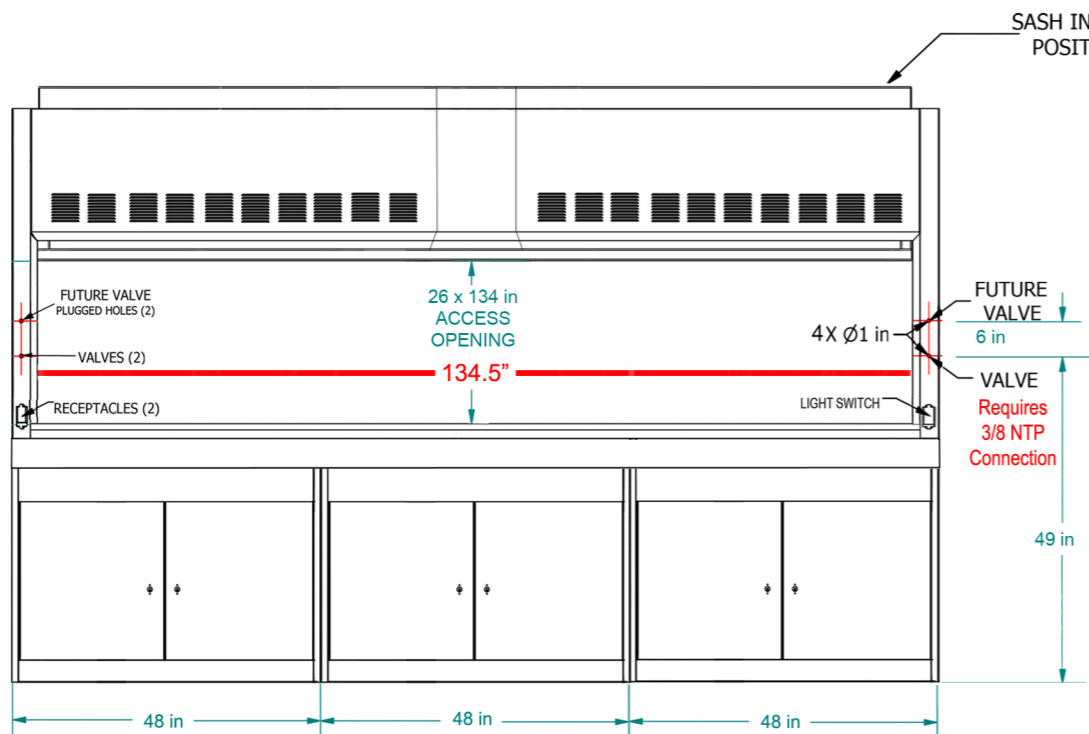
NOT TO SCALE

A

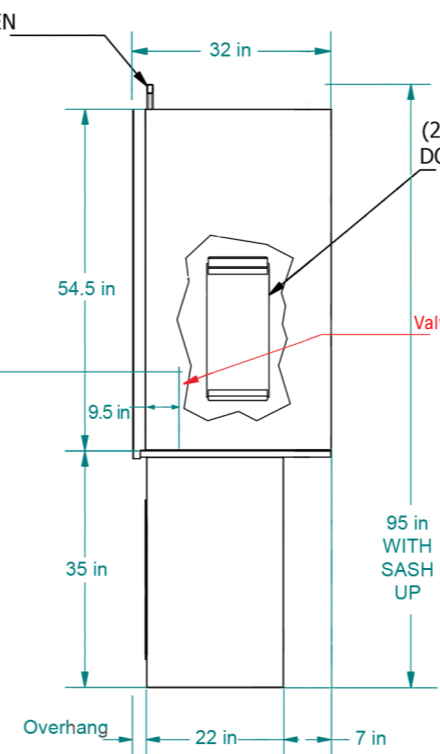
A



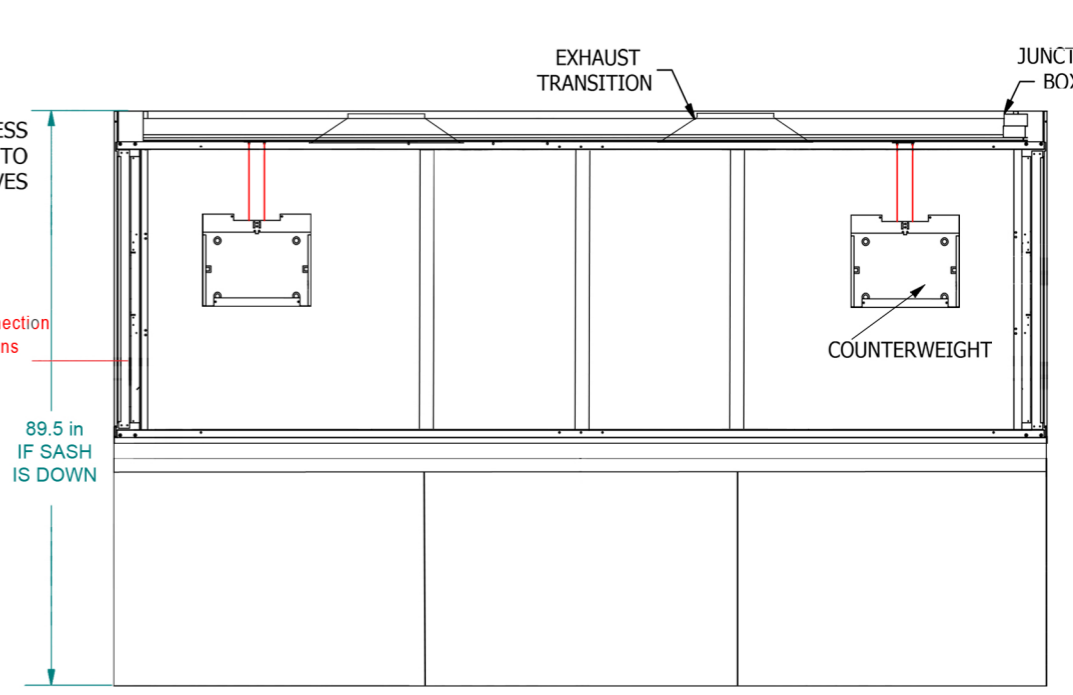
LEFT SIDE VIEW
SASH OPEN



FRONT VIEW
SASH OPEN



RIGHT SIDE VIEW
SASH OPEN



BACK VIEW
SASH CLOSED

12' FUME HOOD

FA FISHER AMERICAN CLASSIFIED UL

(815)-670-6400

4 3 2 1

A