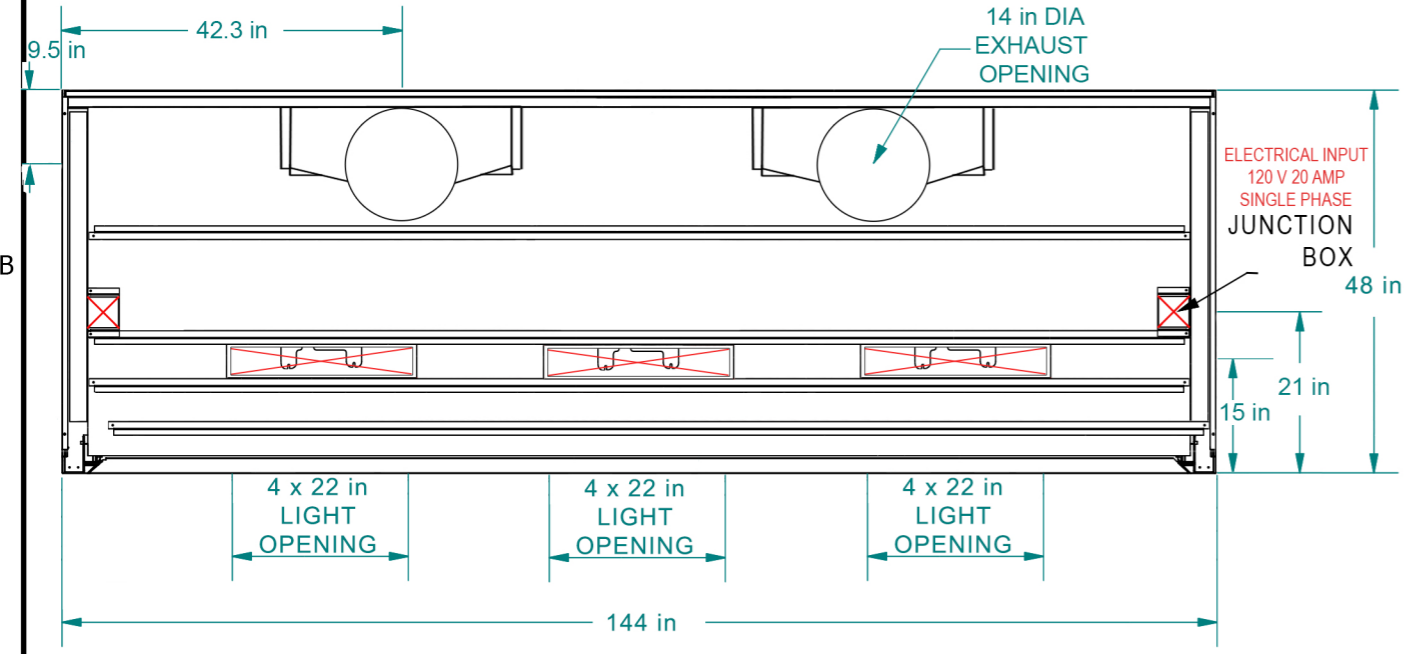
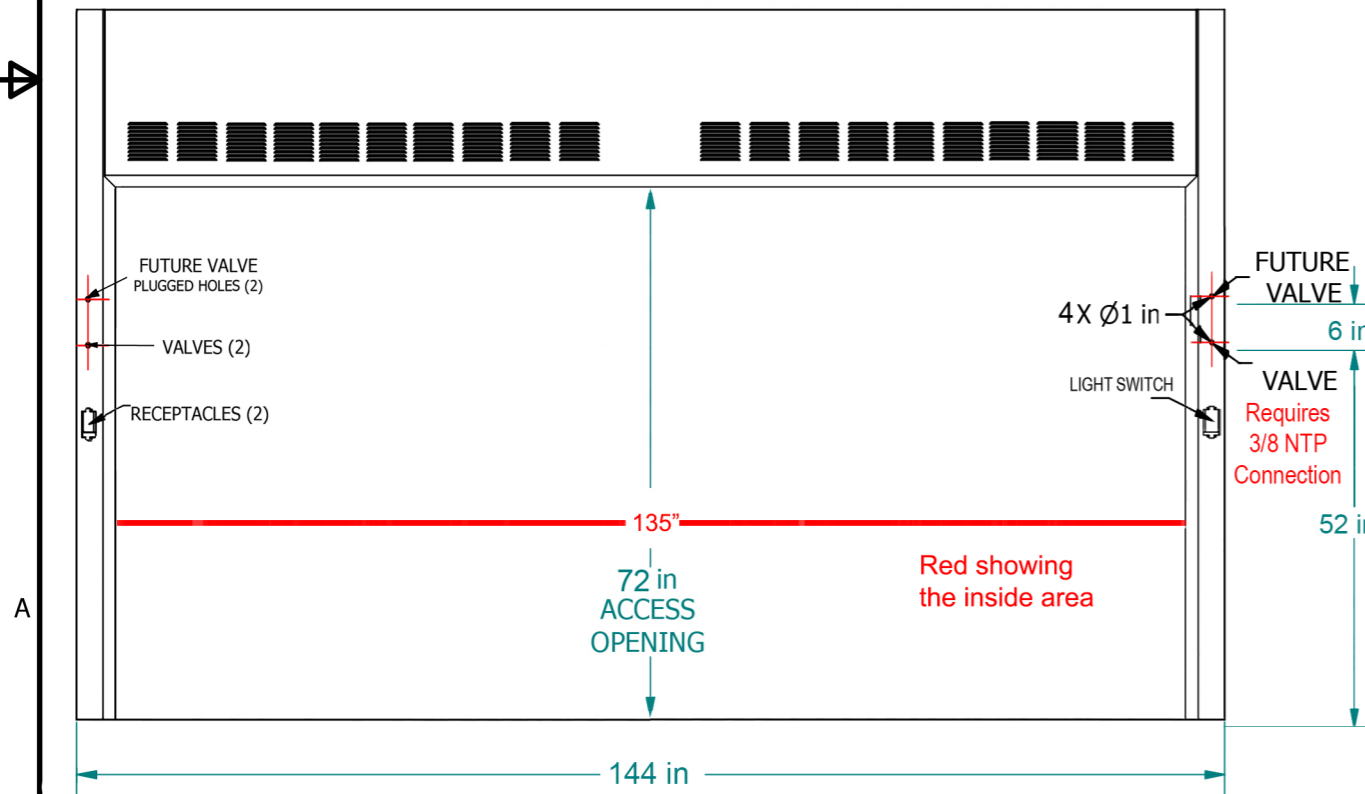
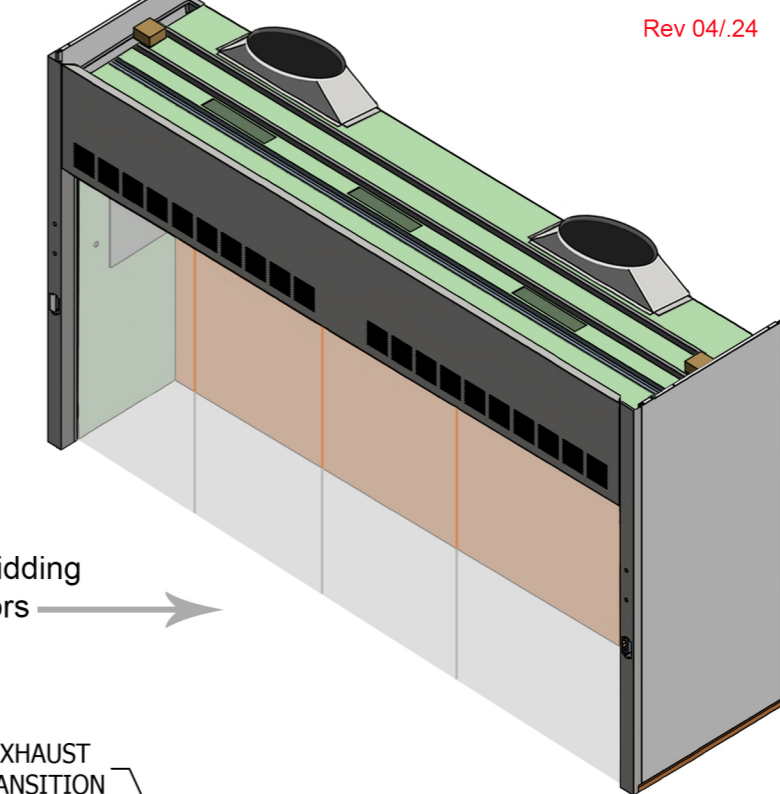


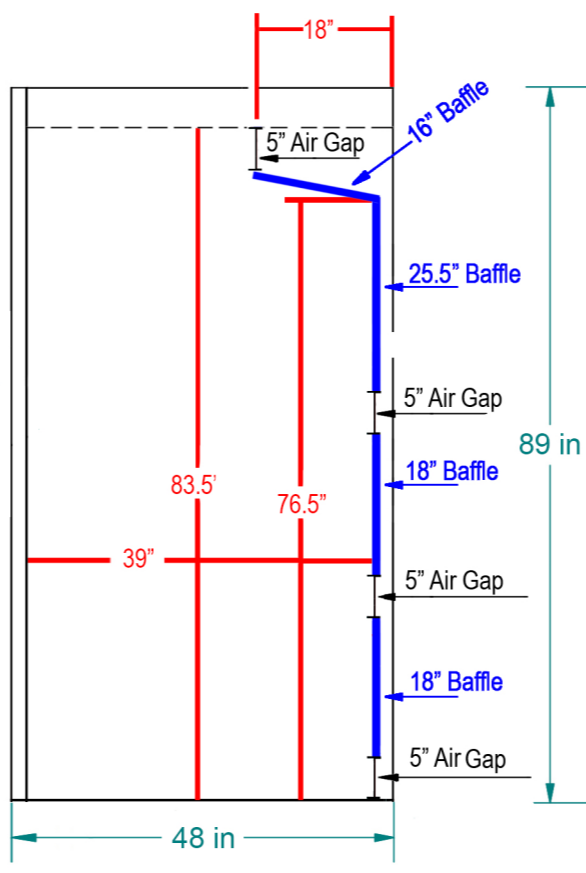
**TOP VIEW**



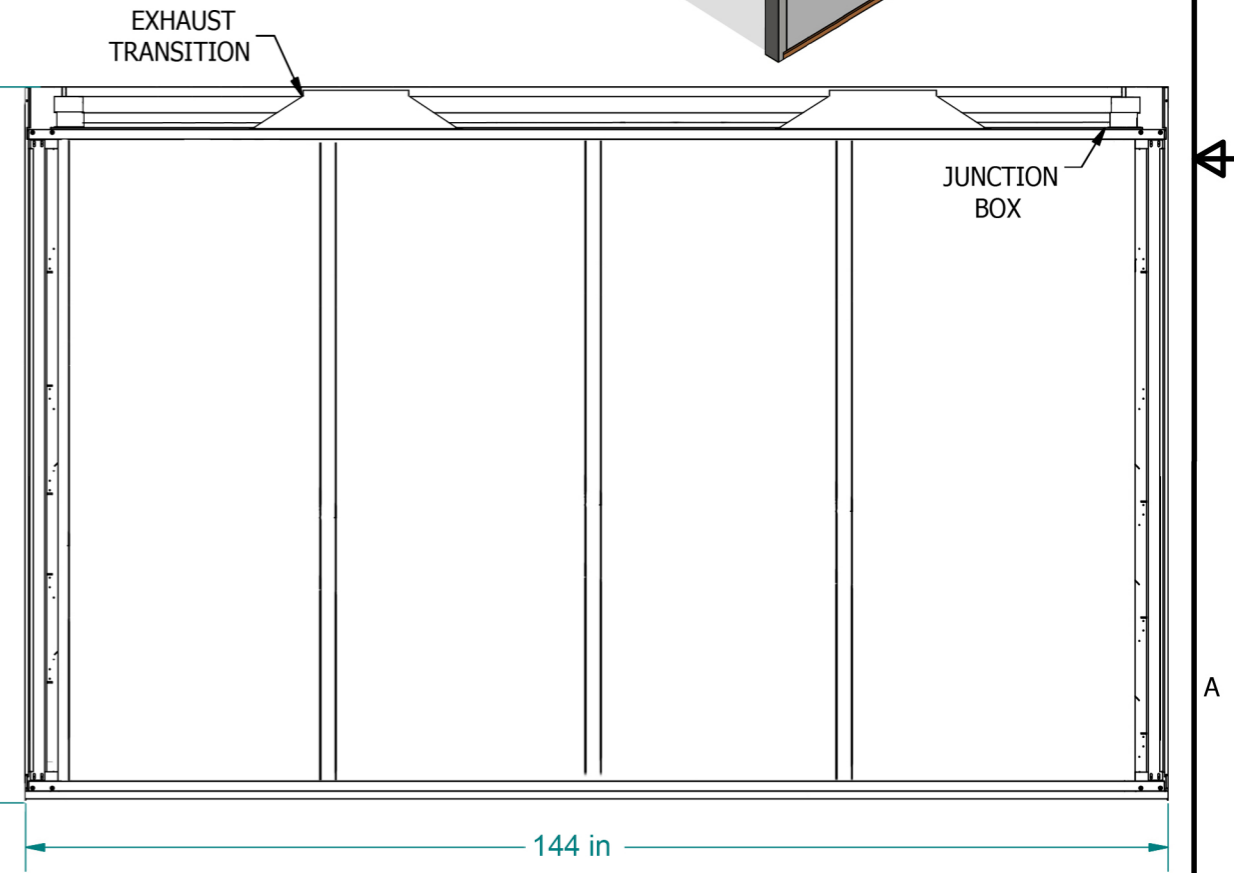
**NOT TO SCALE**



**FRONT VIEW  
SASH OPEN**



**RIGHT SIDE VIEW  
SASH OPEN**



**BACK VIEW  
SASH CLOSED**

**12' x 4' WALK-IN HOOD**

**FA** FISHER AMERICAN **UL** CLASSIFIED

(815)-670-6400