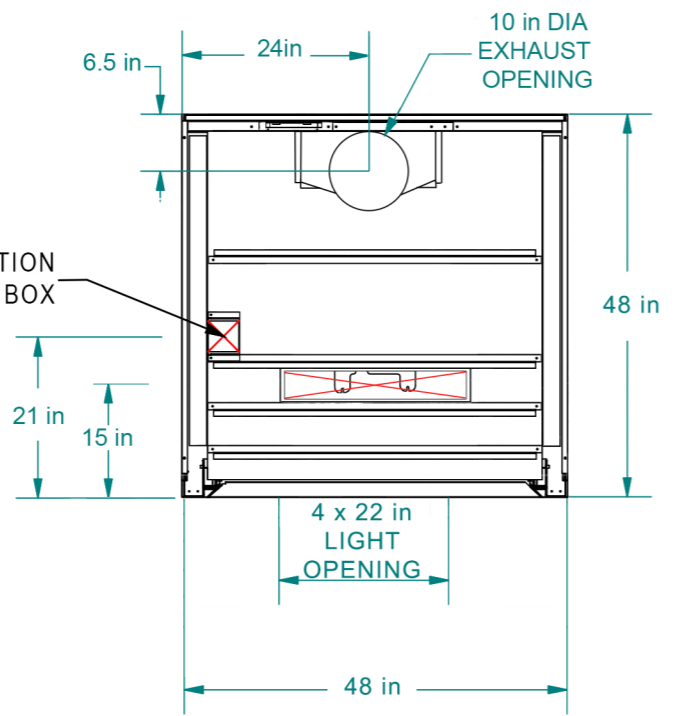
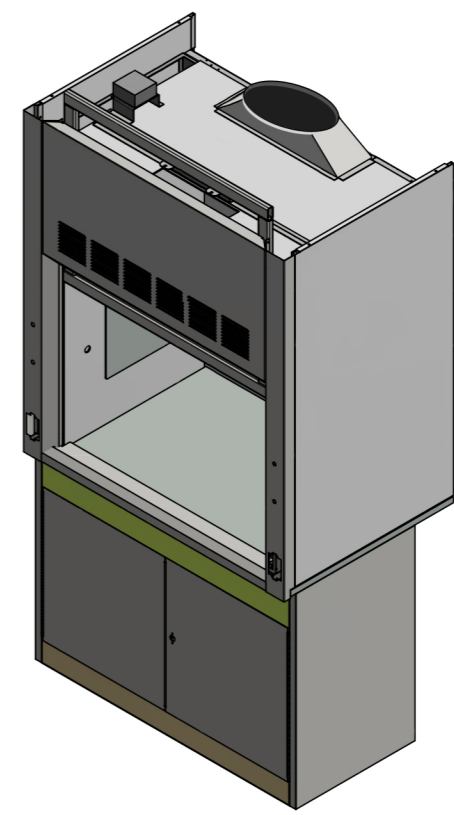


4 3 2 1

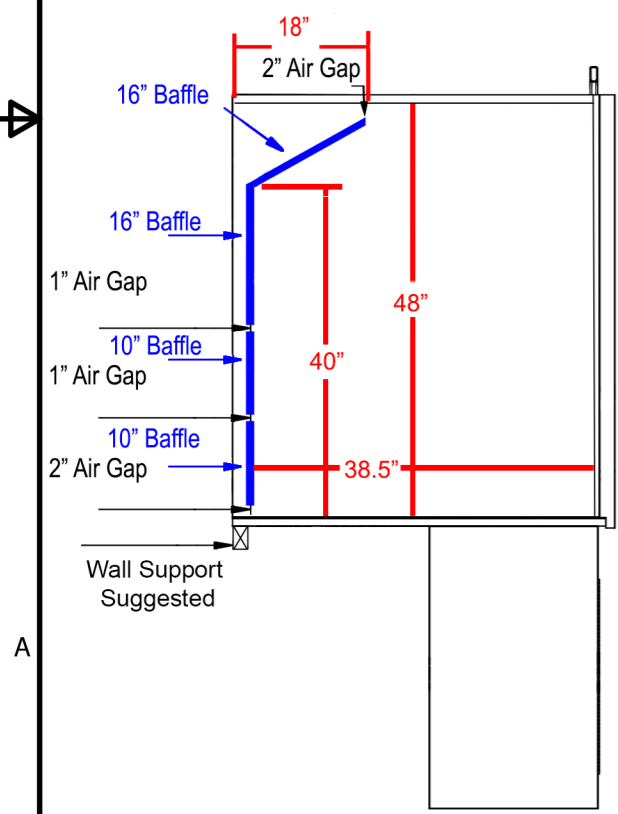
ELECTRICAL INPUT  
120 V 20 AMP JUNCTION  
BOX  
SINGLE PHASE



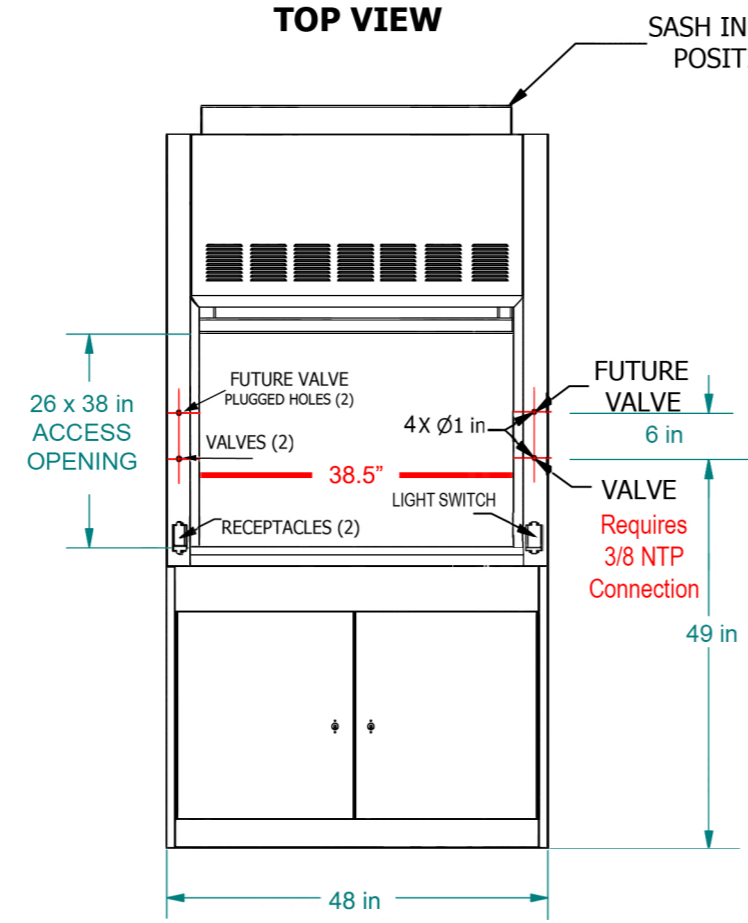
**NOT TO SCALE**



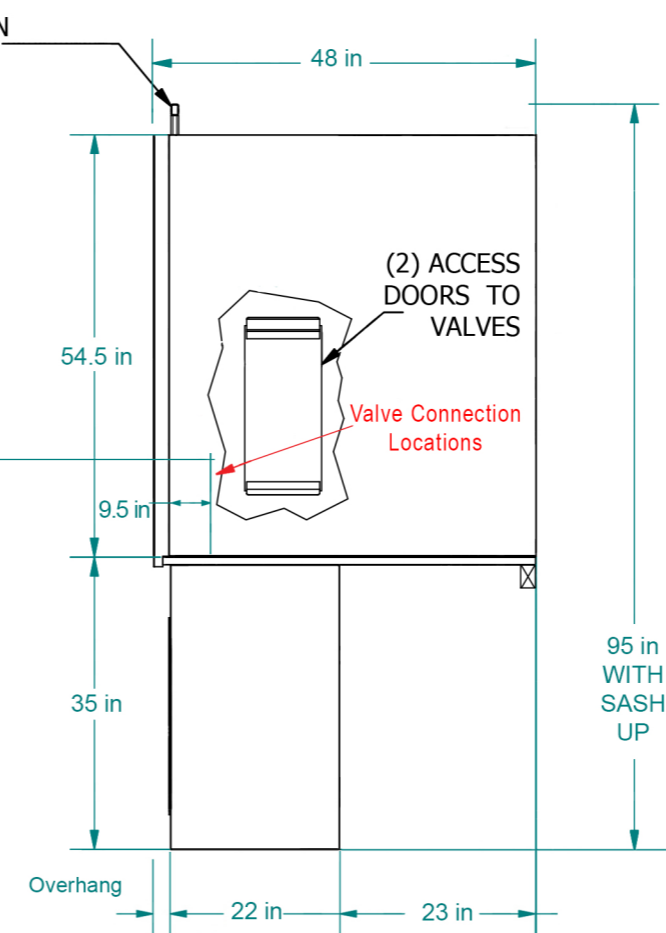
**TOP VIEW**



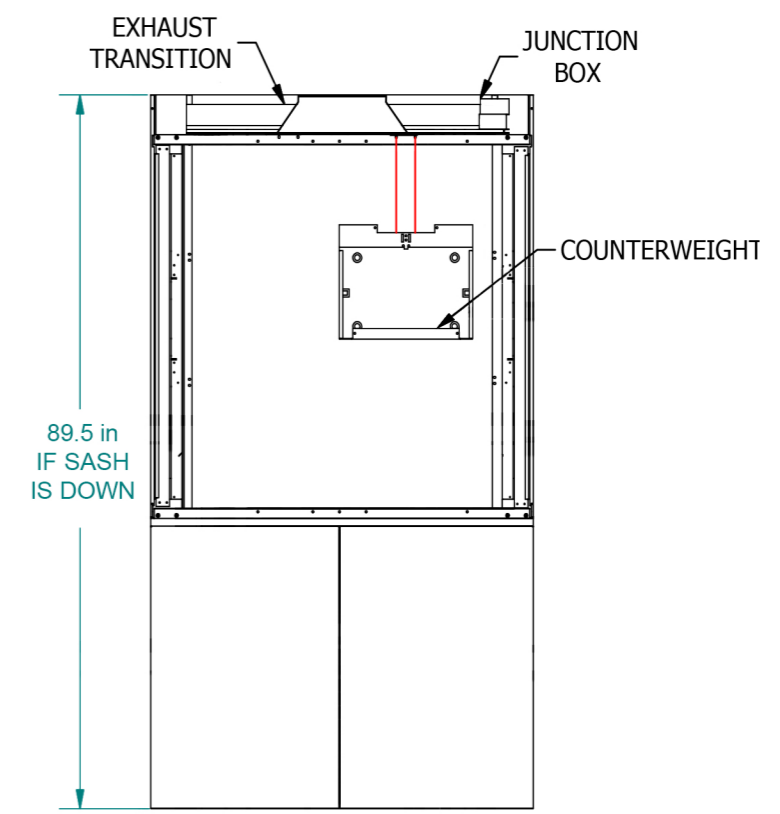
**LEFT SIDE VIEW  
SASH OPEN**



**FRONT VIEW  
SASH OPEN**



**RIGHT SIDE VIEW  
SASH OPEN**



**BACK VIEW  
SASH CLOSED**

**4' x 4' FUME HOOD**

**FA FISHER AMERICAN** CLASSIFIED **UL**

(815)-670-6400

4 3 2 1