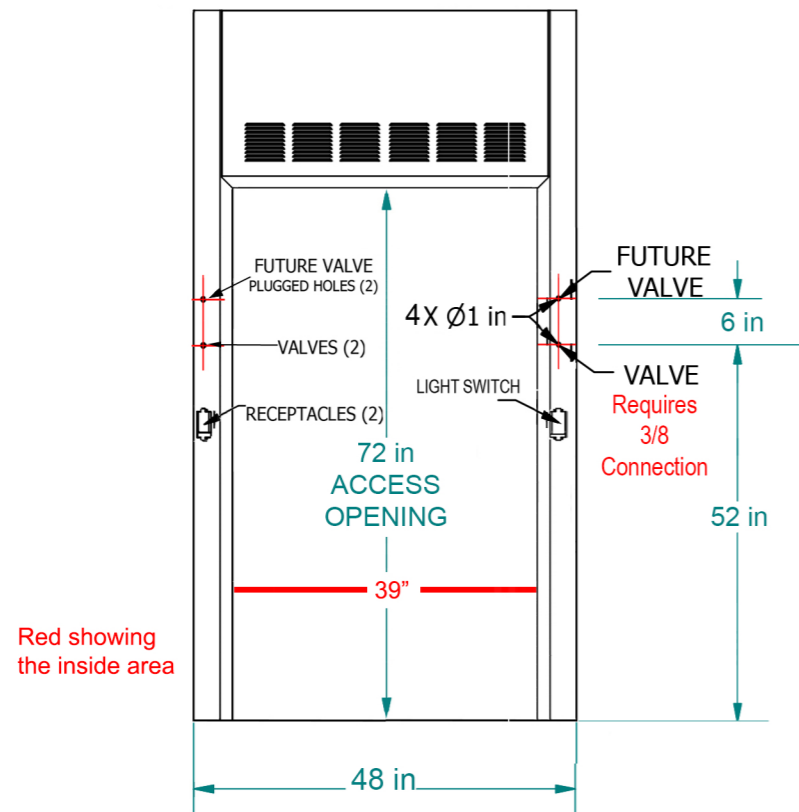
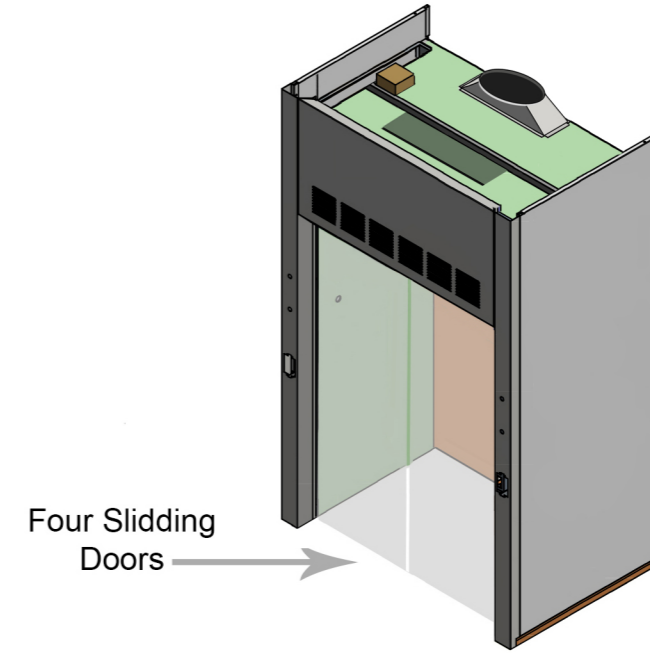
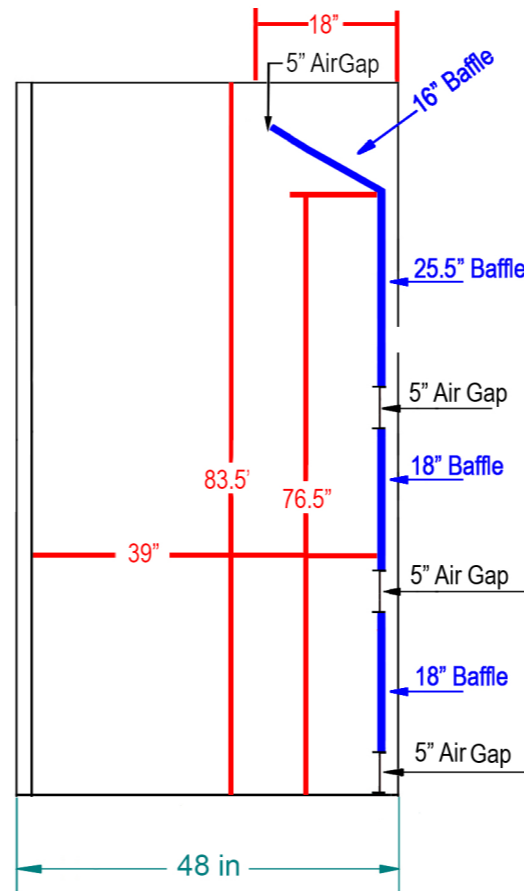


TOP VIEW

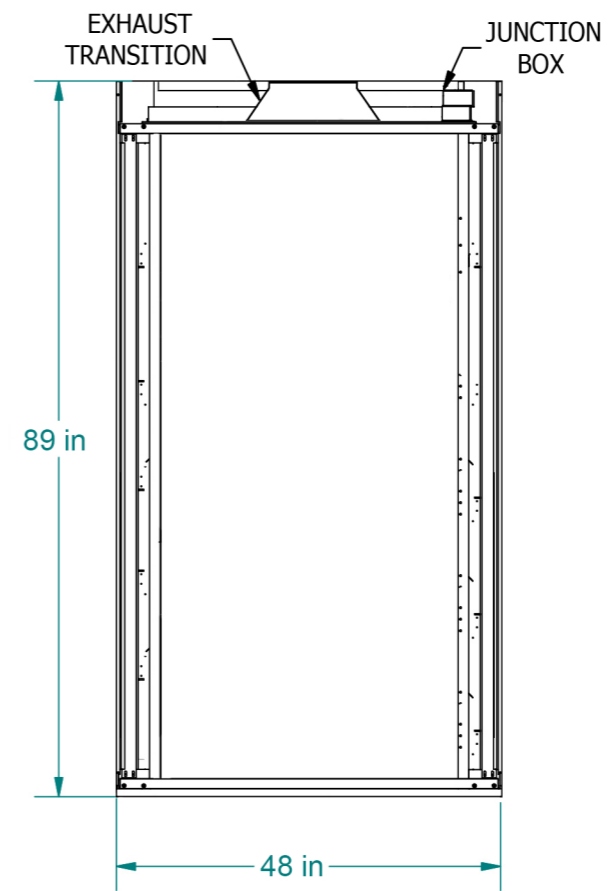
NOT TO SCALE



FRONT VIEW
SASH OPEN



RIGHT SIDE VIEW
SASH OPEN



BACK VIEW
SASH CLOSED

4' x 4' FUME HOOD

FA FISHER AMERICAN CLASSIFIED **UL**

(815)-670-6400