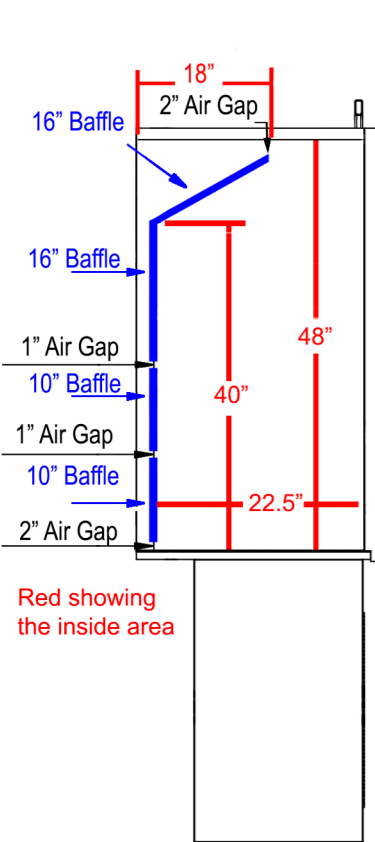
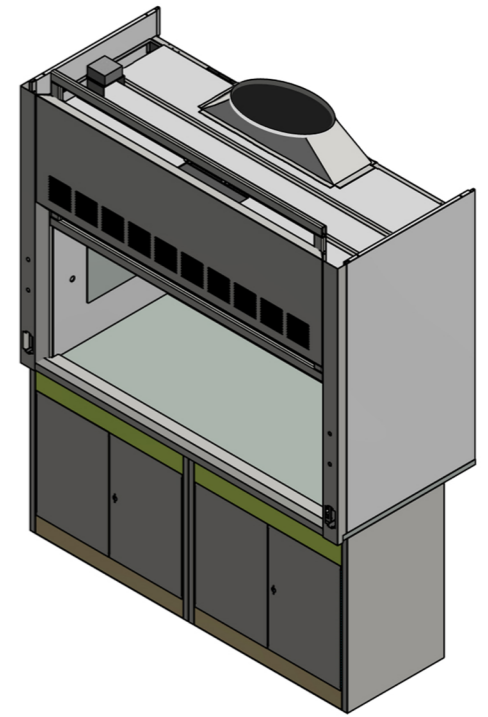
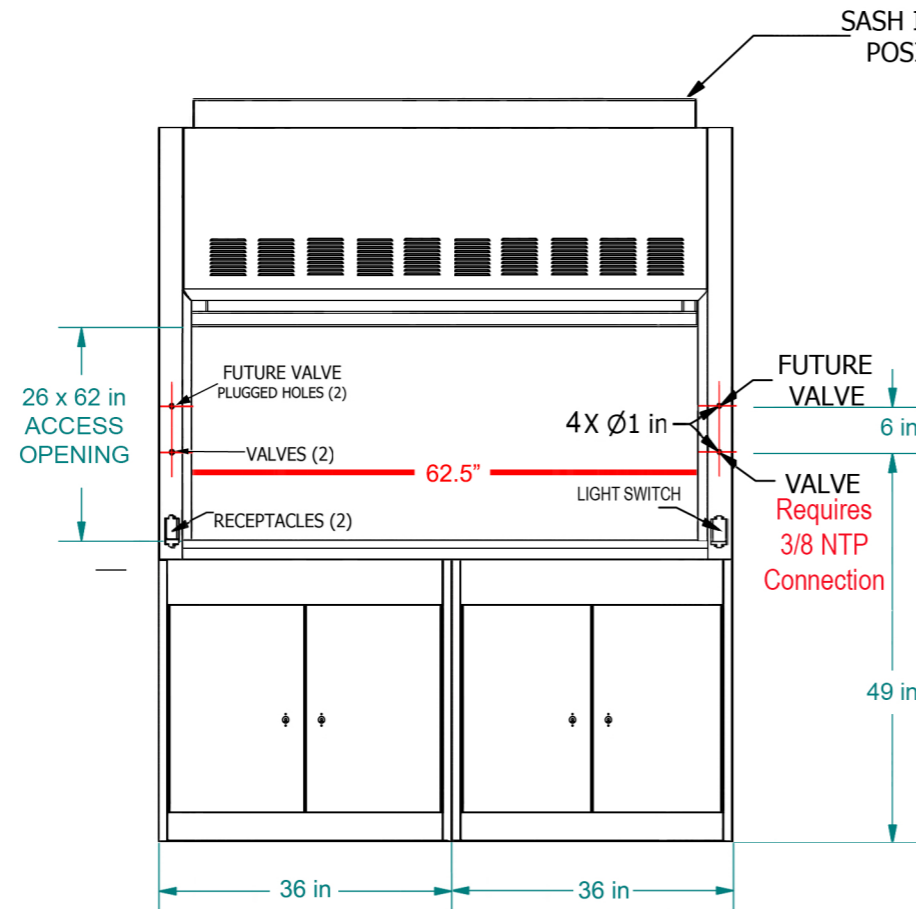


TOP VIEW

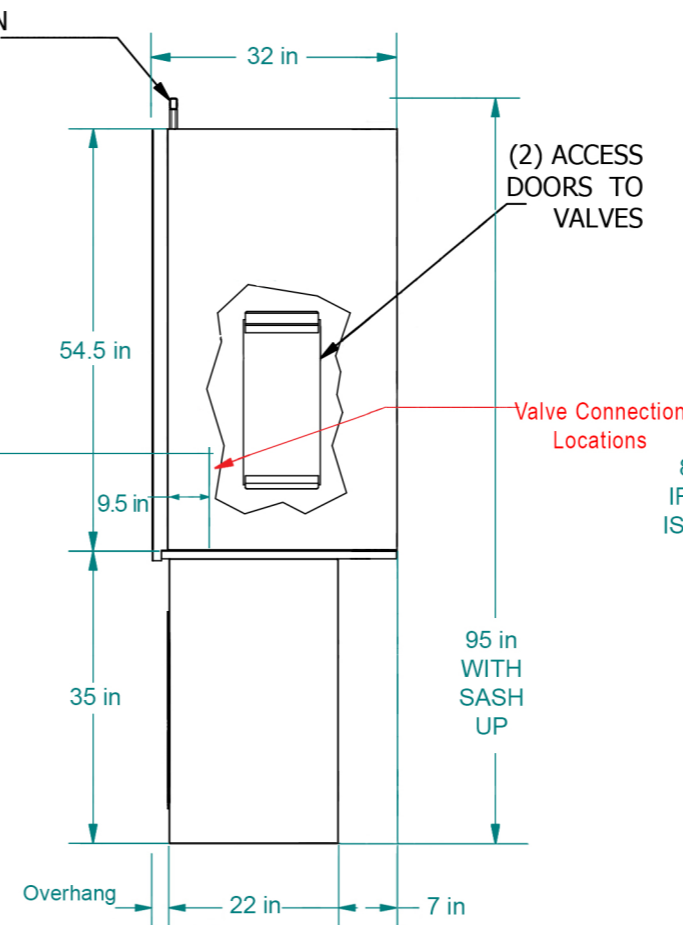
**NOT TO SCALE**



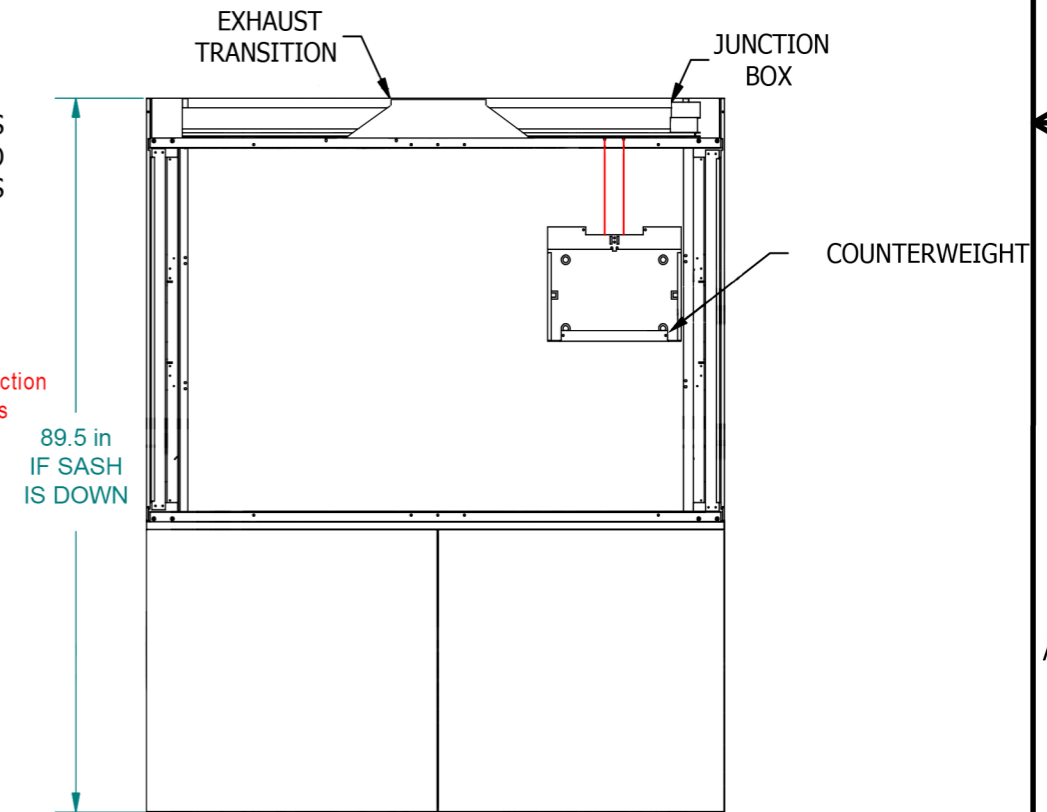
LEFT SIDE VIEW  
SASH OPEN



FRONT VIEW  
SASH OPEN



RIGHT SIDE VIEW  
SASH OPEN



BACK VIEW  
SASH CLOSED

**6' FUME HOOD**

**FA FISHER AMERICAN** CLASSIFIED **UL**

(815)-670-6400