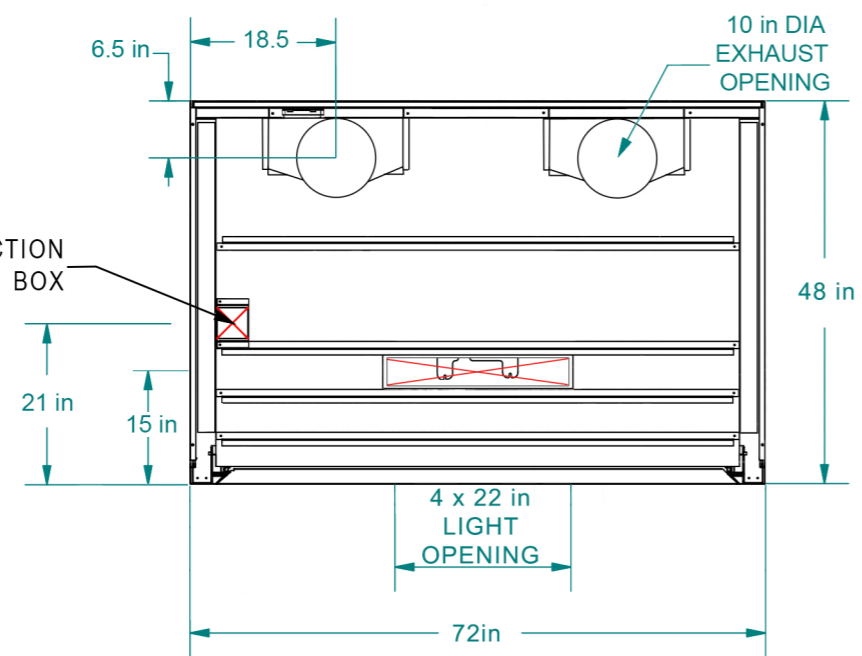
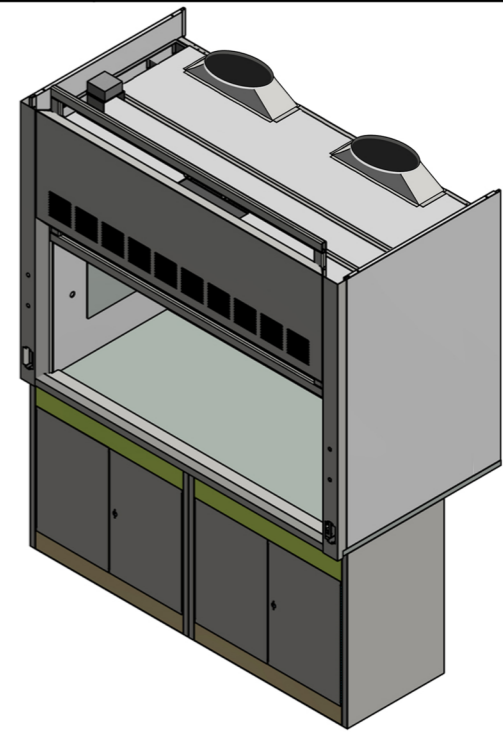


TOP VIEW



NOT TO SCALE

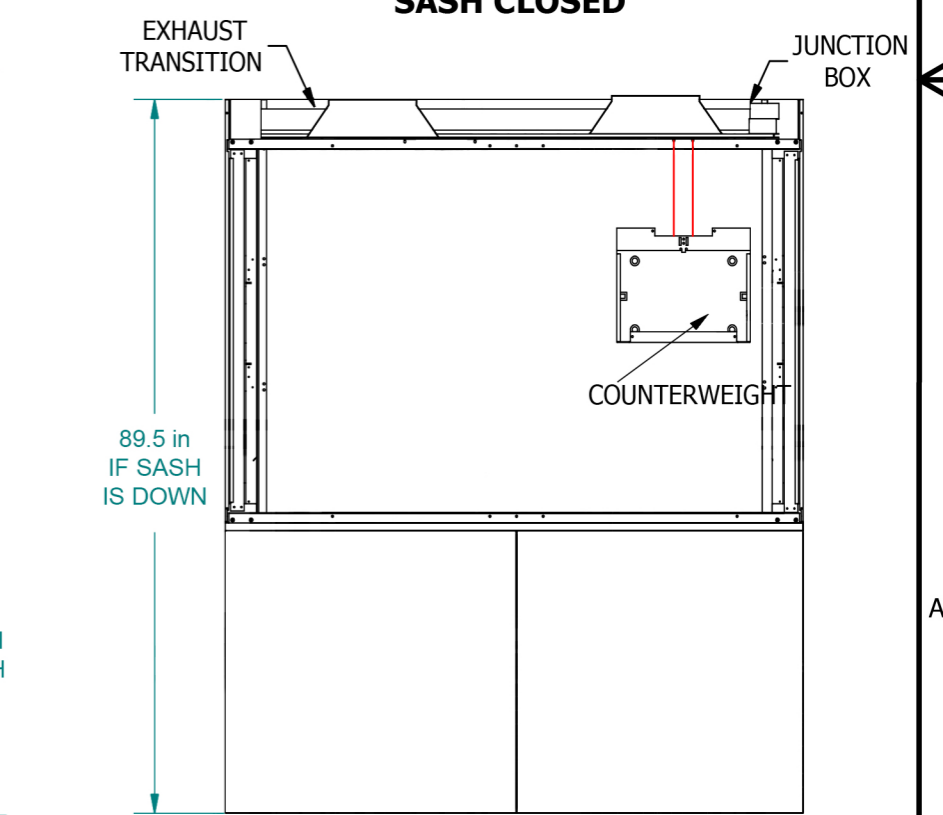
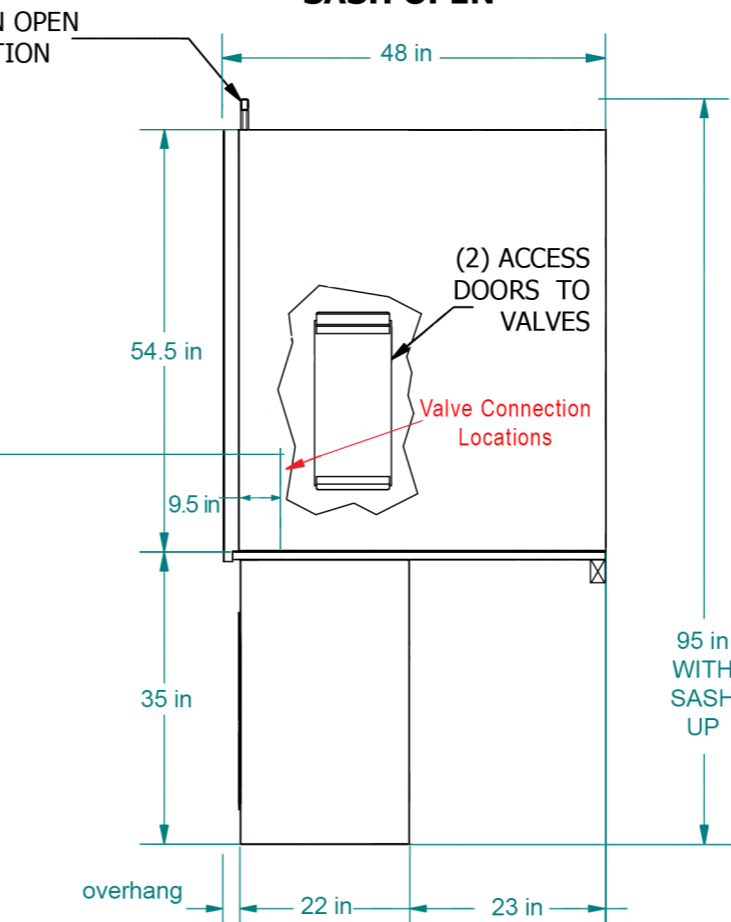
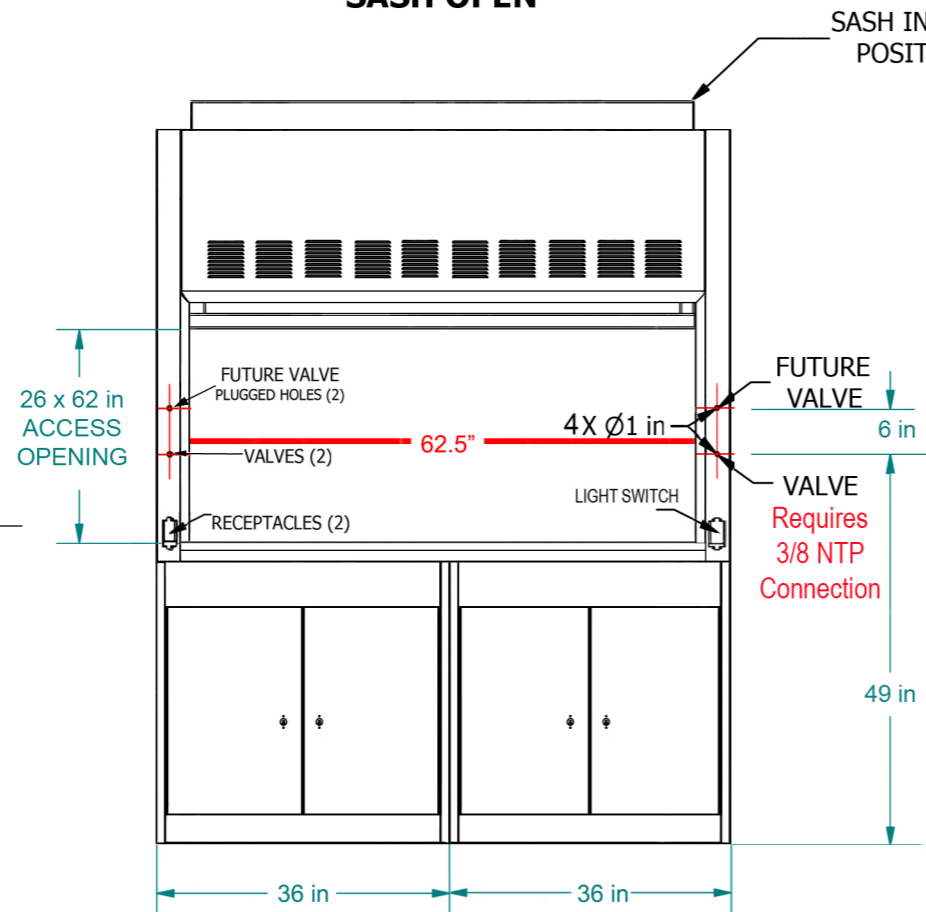
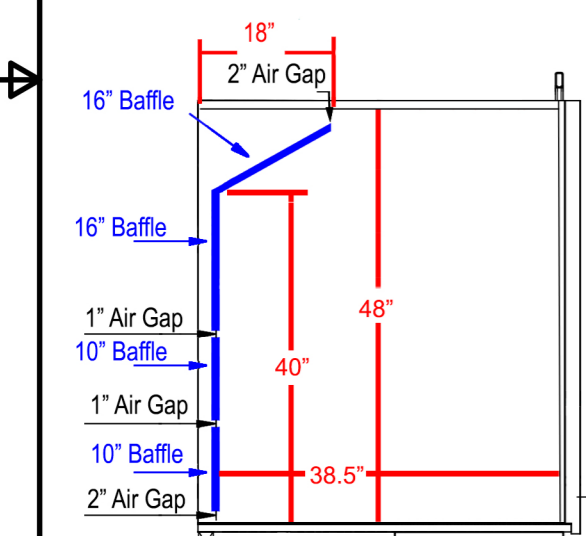


LEFT SIDE VIEW
SASH OPEN

FRONT VIEW
SASH OPEN

RIGHT SIDE VIEW
SASH OPEN

BACK VIEW
SASH CLOSED



6' x 4' FUME HOOD

FA FISHER AMERICAN

CLASSIFIED **UL**

(815)-670-6400