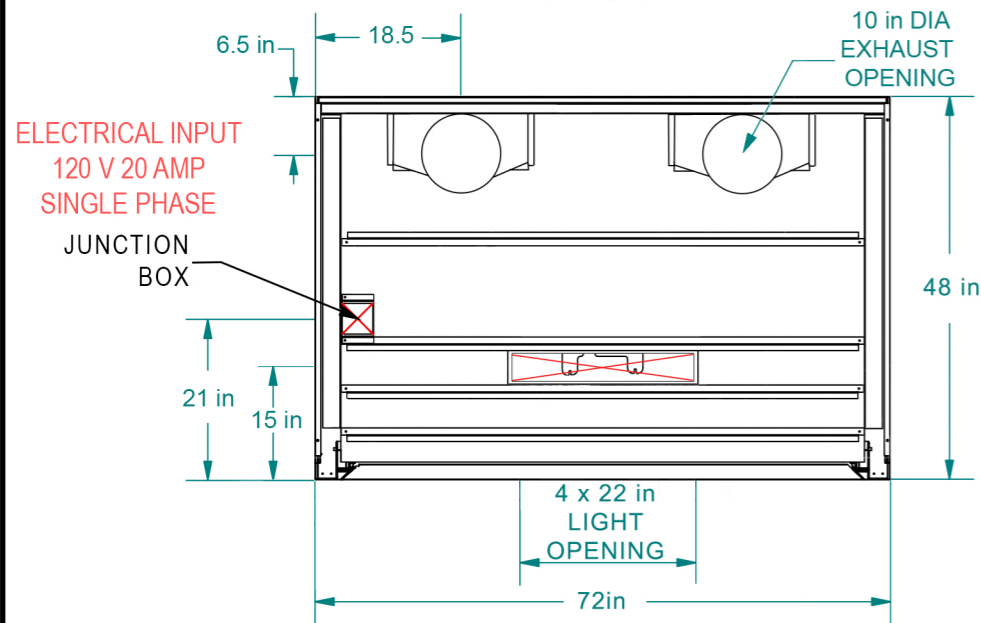
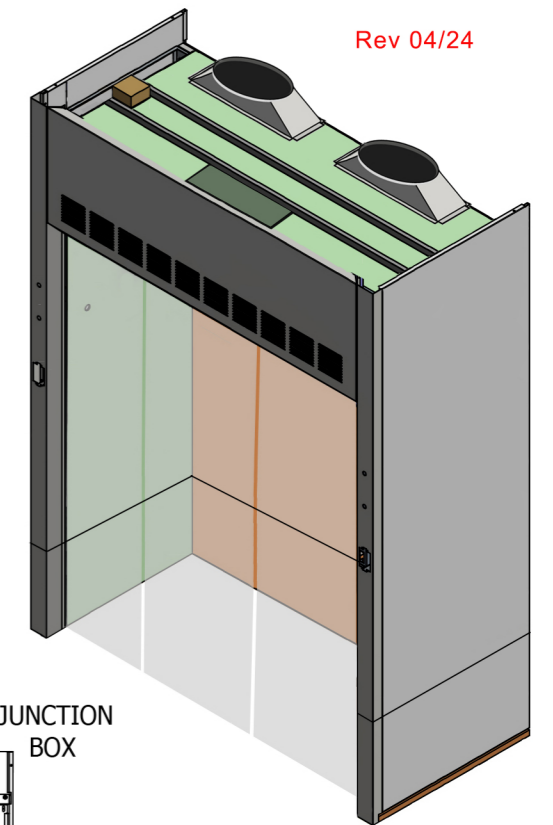


TOP VIEW

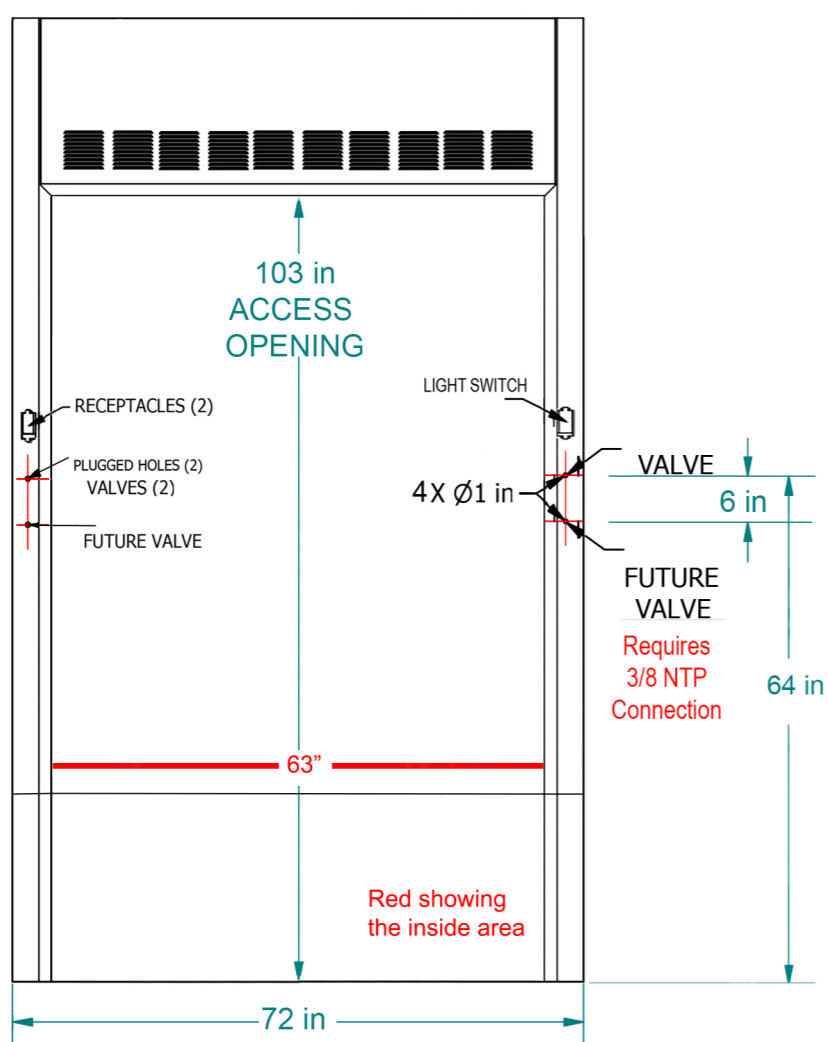


NOT TO SCALE

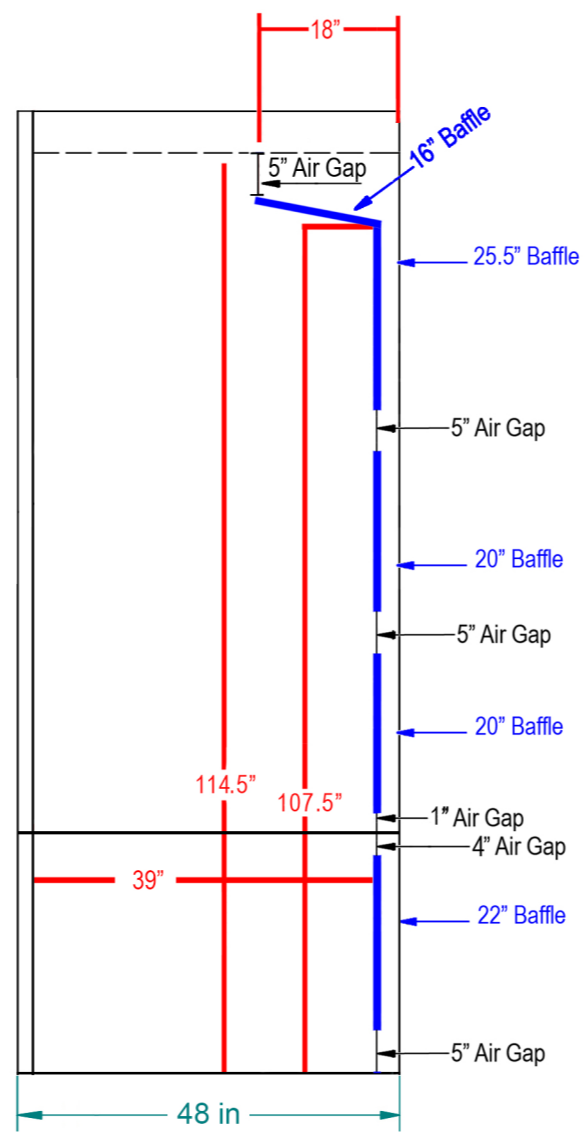
Rev 04/24



**FRONT VIEW
SASH OPEN**

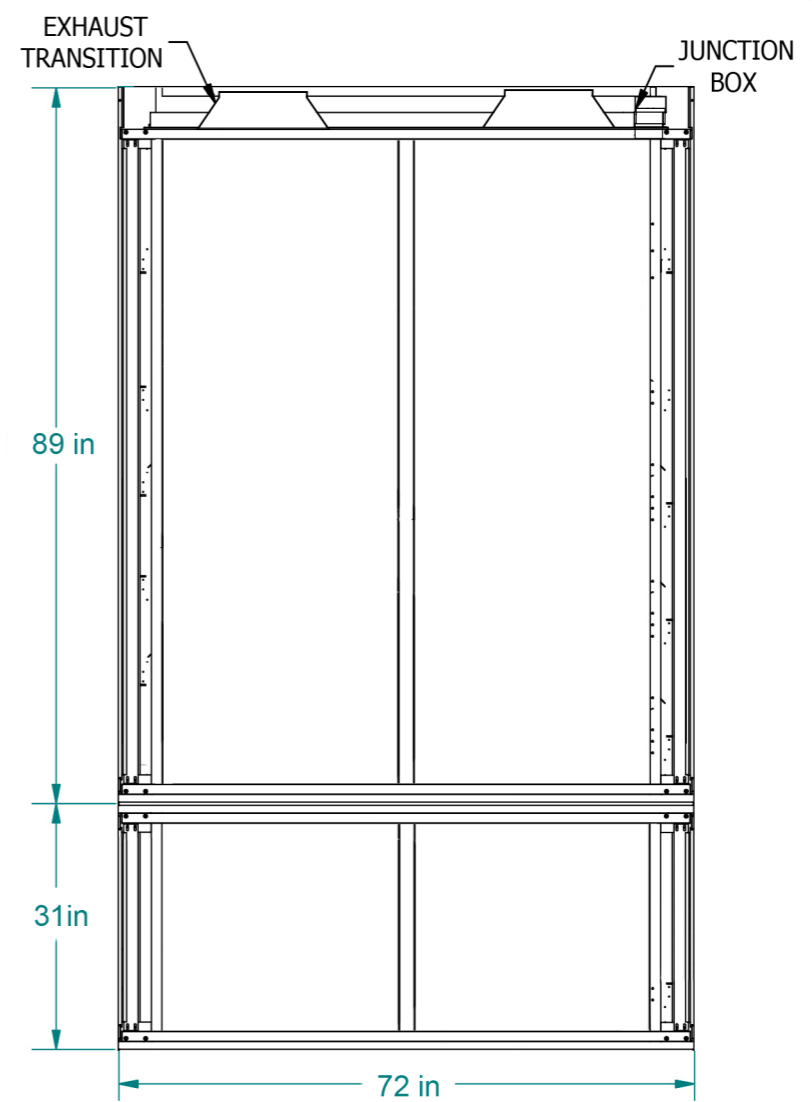


**RIGHT SIDE VIEW
SASH OPEN**



Four Sliding Doors

**BACK VIEW
SASH CLOSED**



6' x 4' x 10' WALK-IN HOOD

FA FISHER AMERICAN

(815)-670-6400