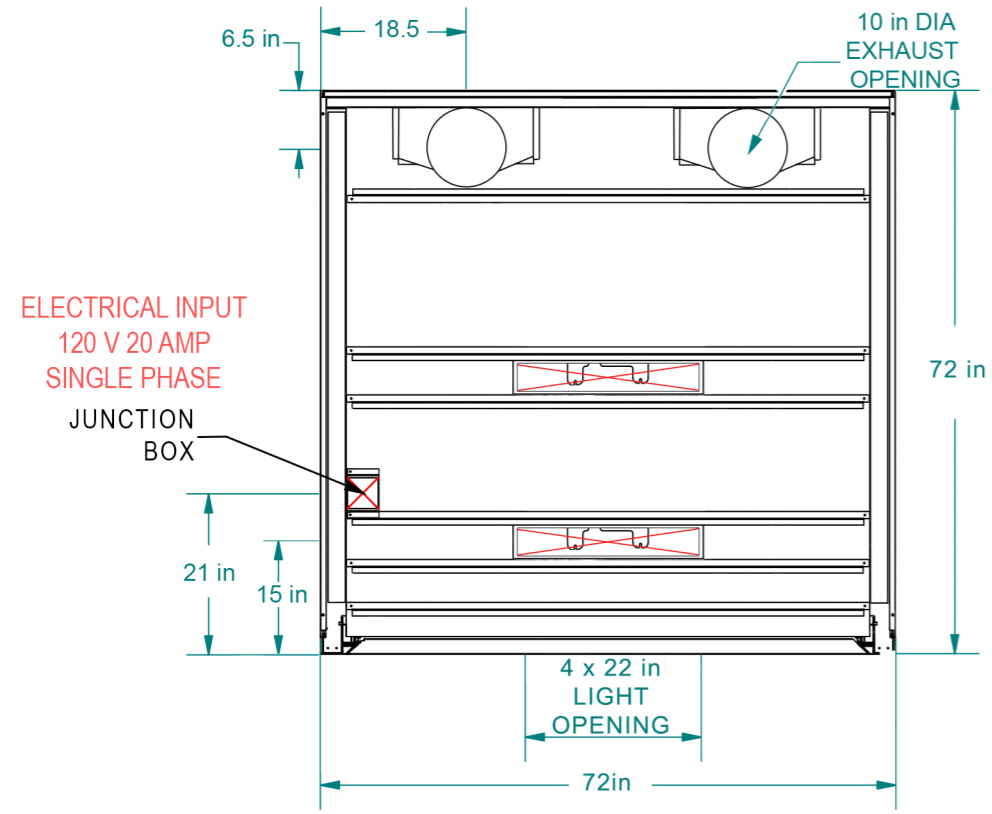
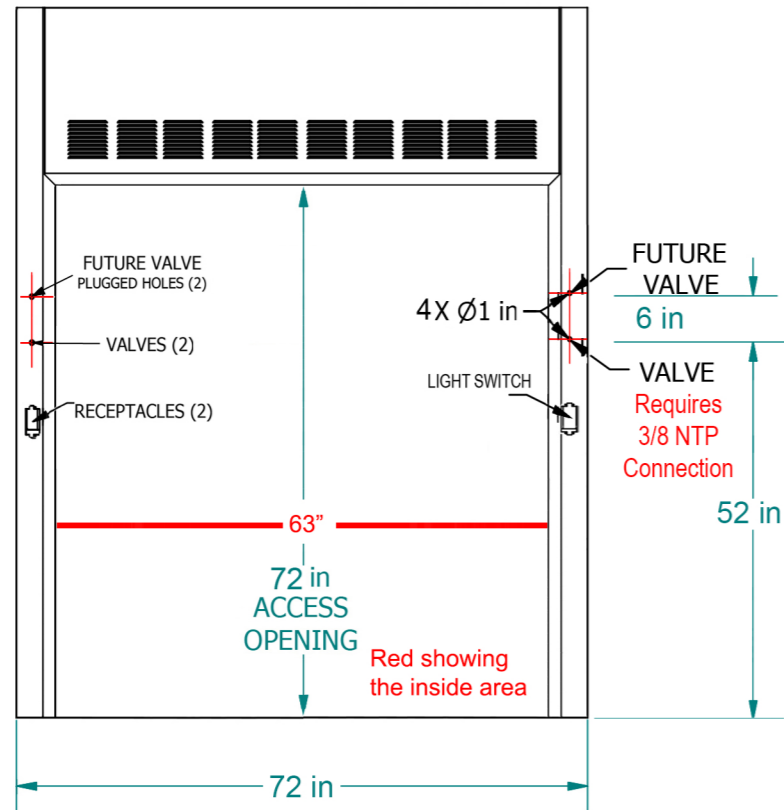
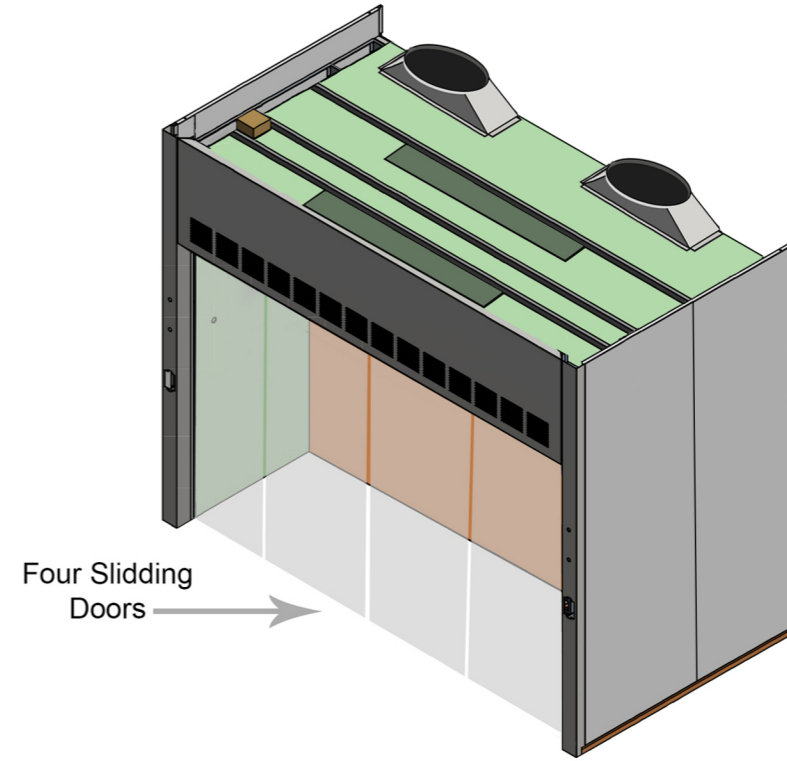


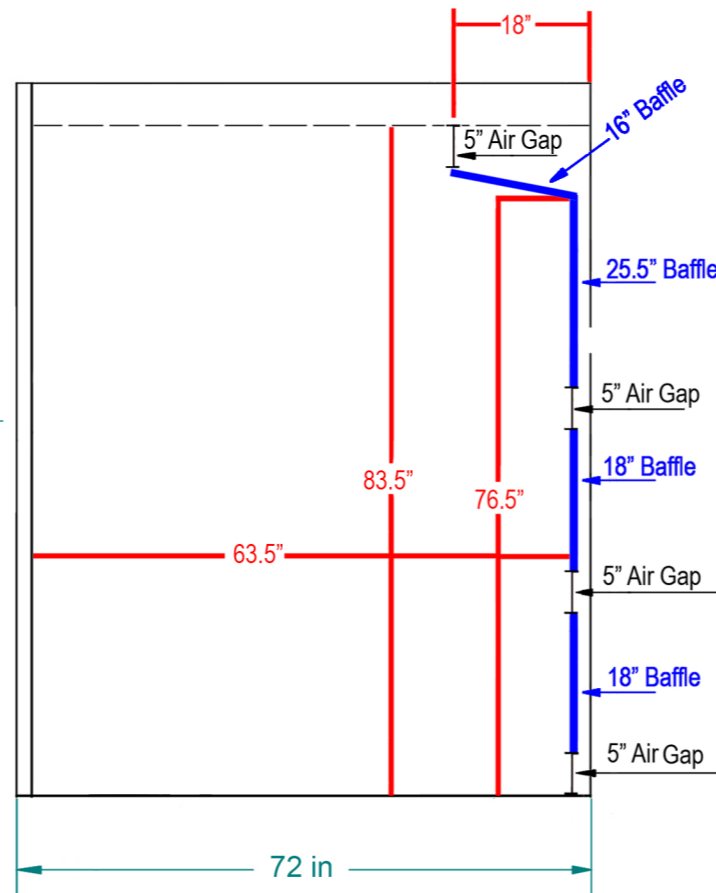
TOP VIEW



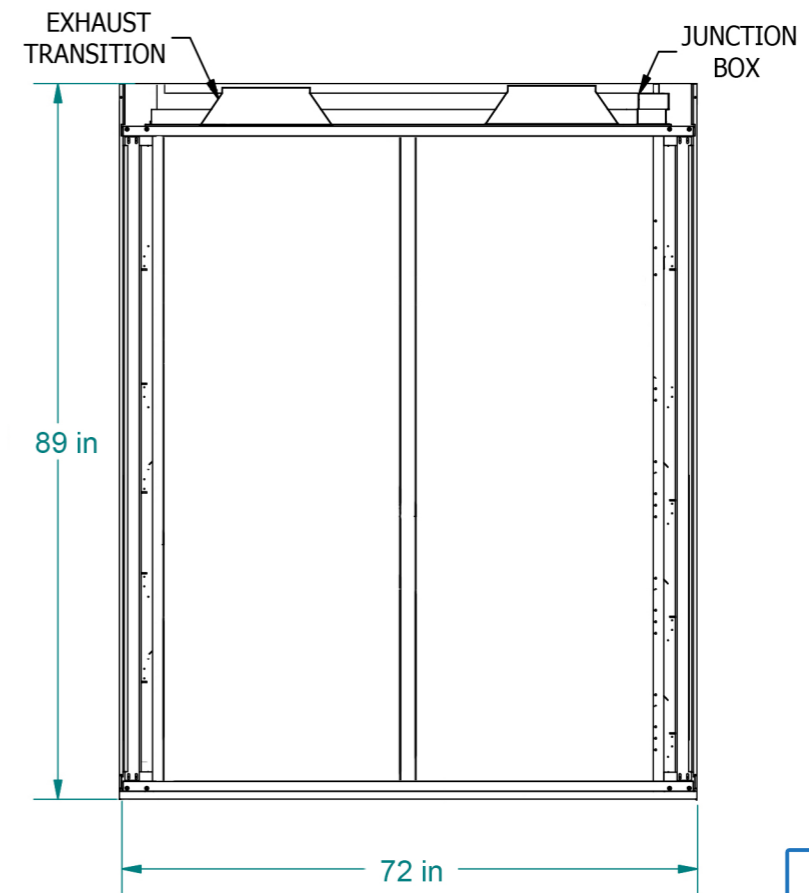
**NOT TO SCALE**



FRONT VIEW  
SASH OPEN



RIGHT SIDE VIEW  
SASH OPEN



BACK VIEW  
SASH CLOSED

6' x 6' WALK-IN HOOD

**FA** FISHER AMERICAN

(815)-670-6400