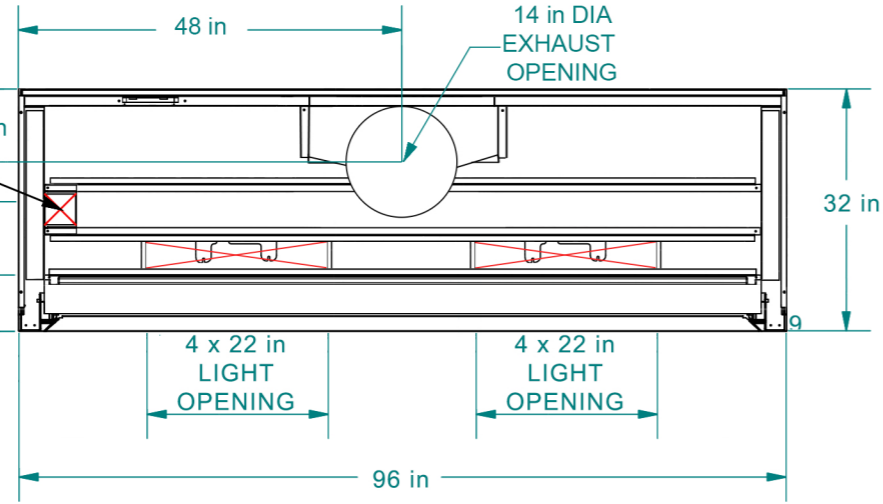
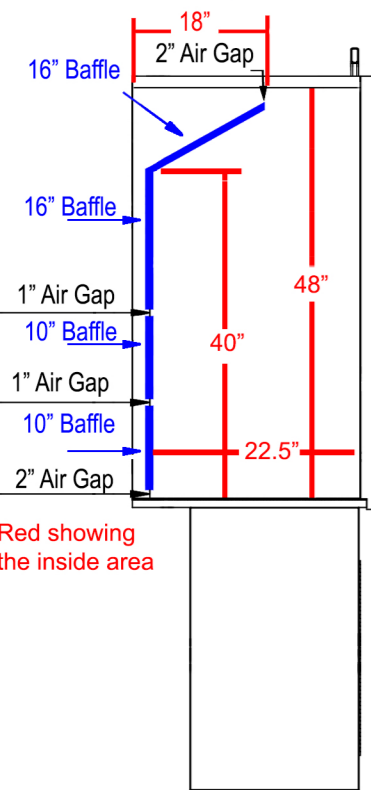
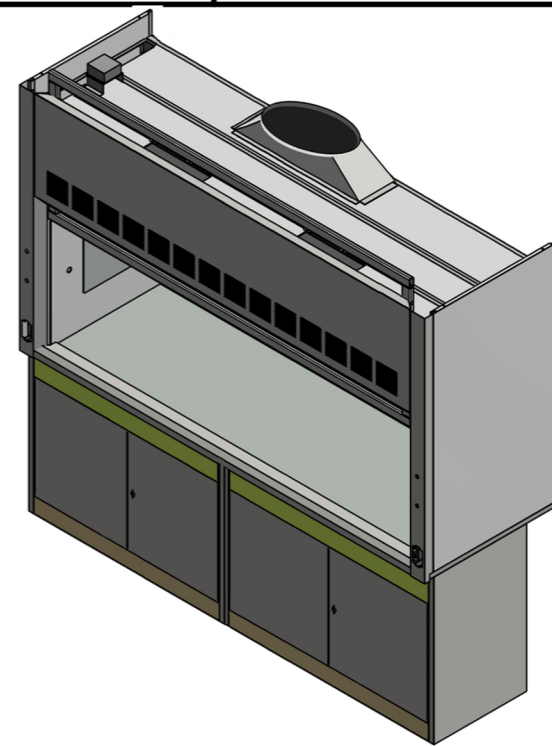


ELECTRICAL INPUT
120 V 20 AMP
SINGLE PHASE
JUNCTION
BOX

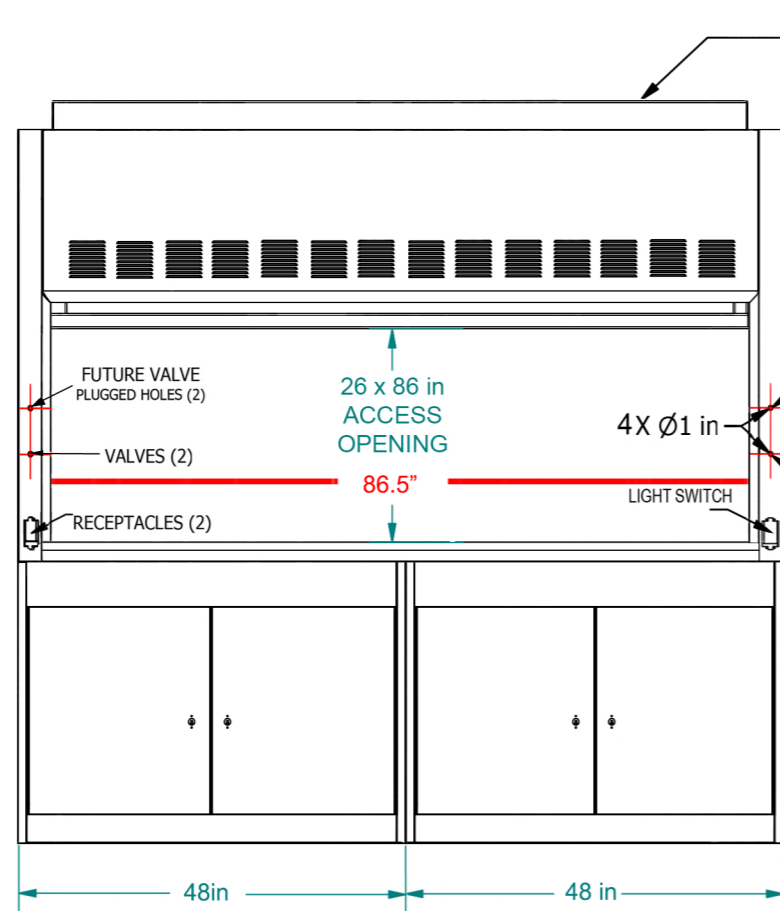


TOP VIEW

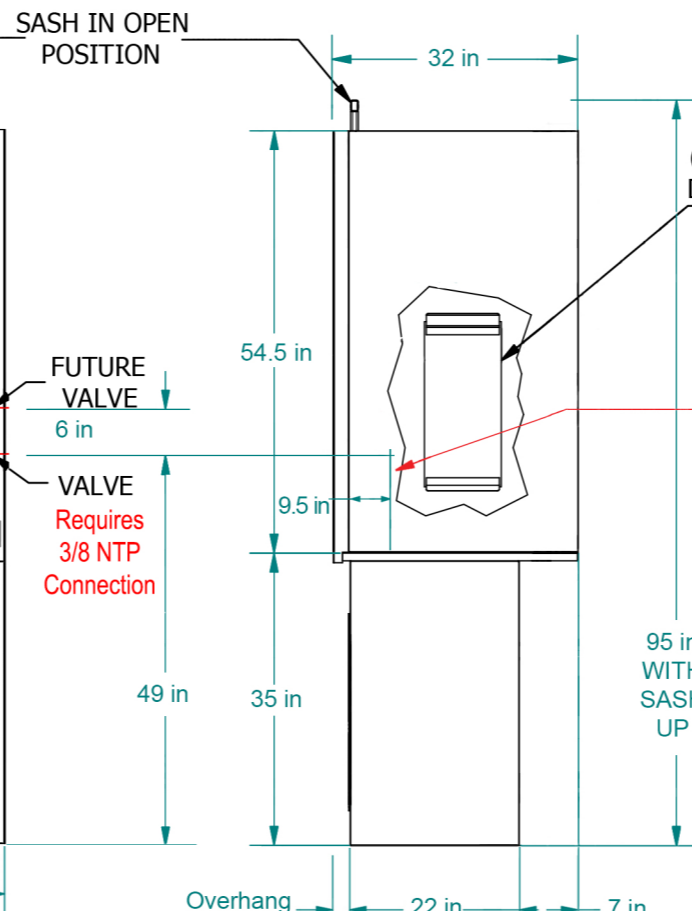
NOT TO SCALE



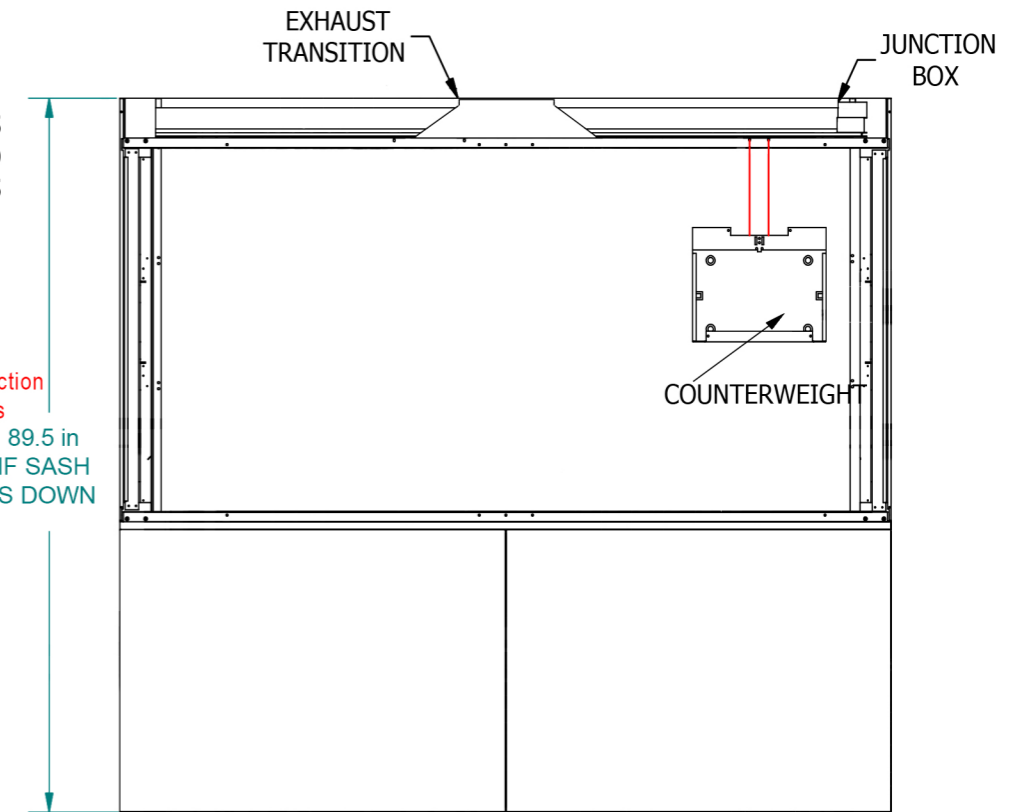
LEFT SIDE VIEW
SASH OPEN



FRONT VIEW
SASH OPEN



RIGHT SIDE VIEW
SASH OPEN



BACK VIEW
SASH CLOSED

8' FUME HOOD

CLASSIFIED UL

(815)-670-6400