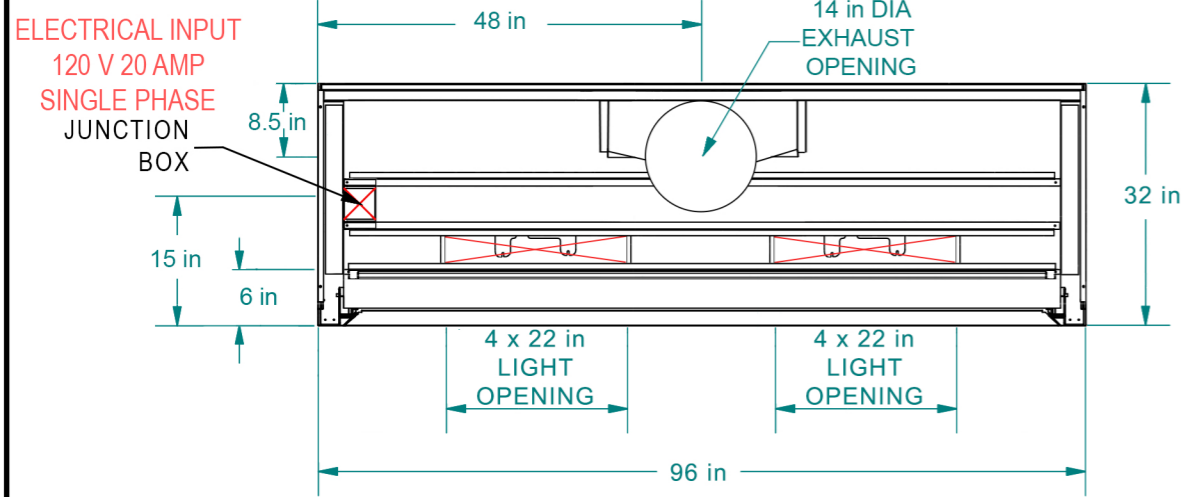


4 3 2 1

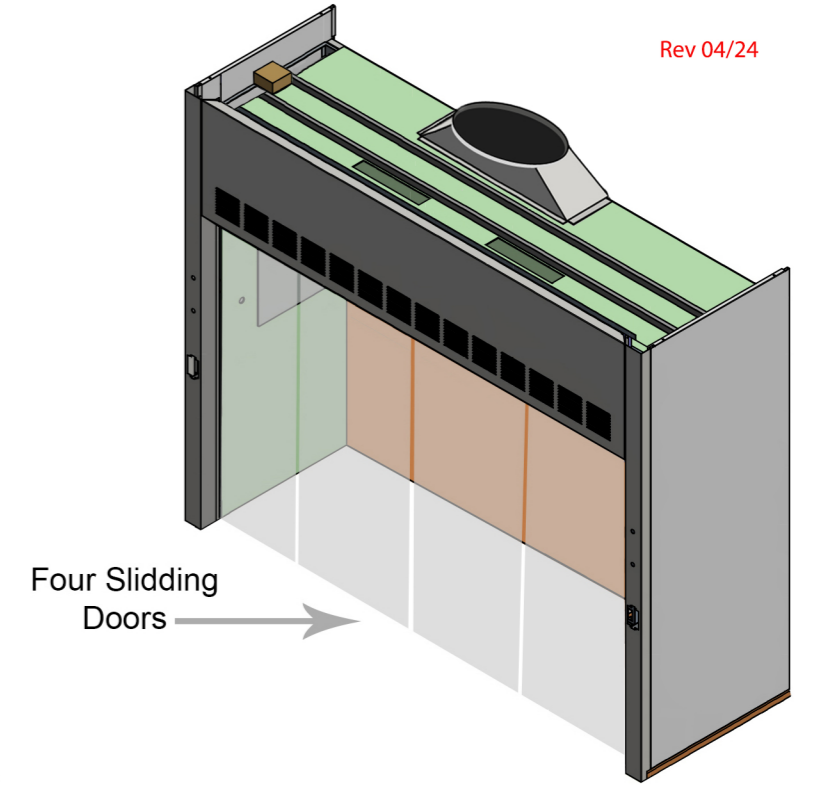
B

B



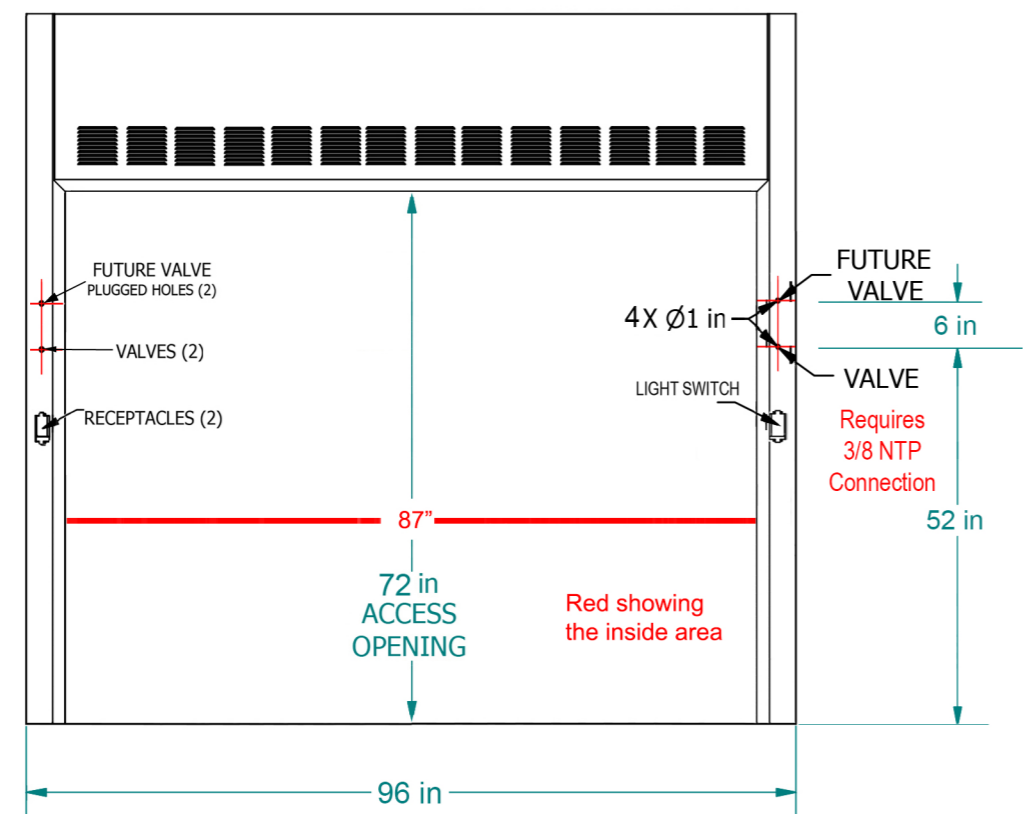
TOP VIEW

NOT TO SCALE

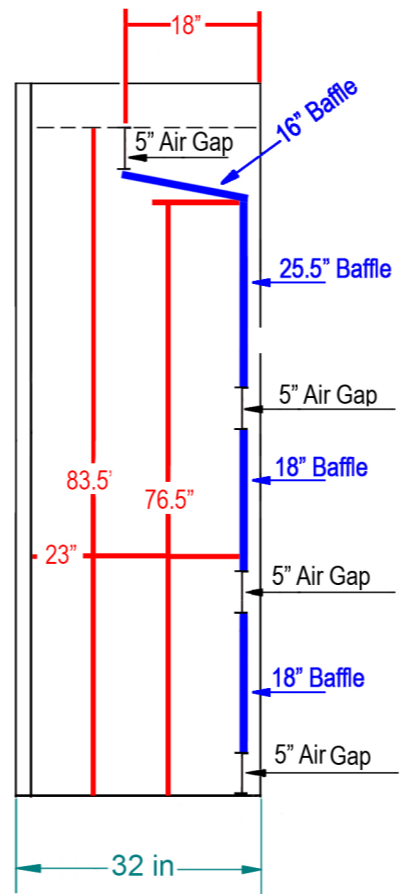


A

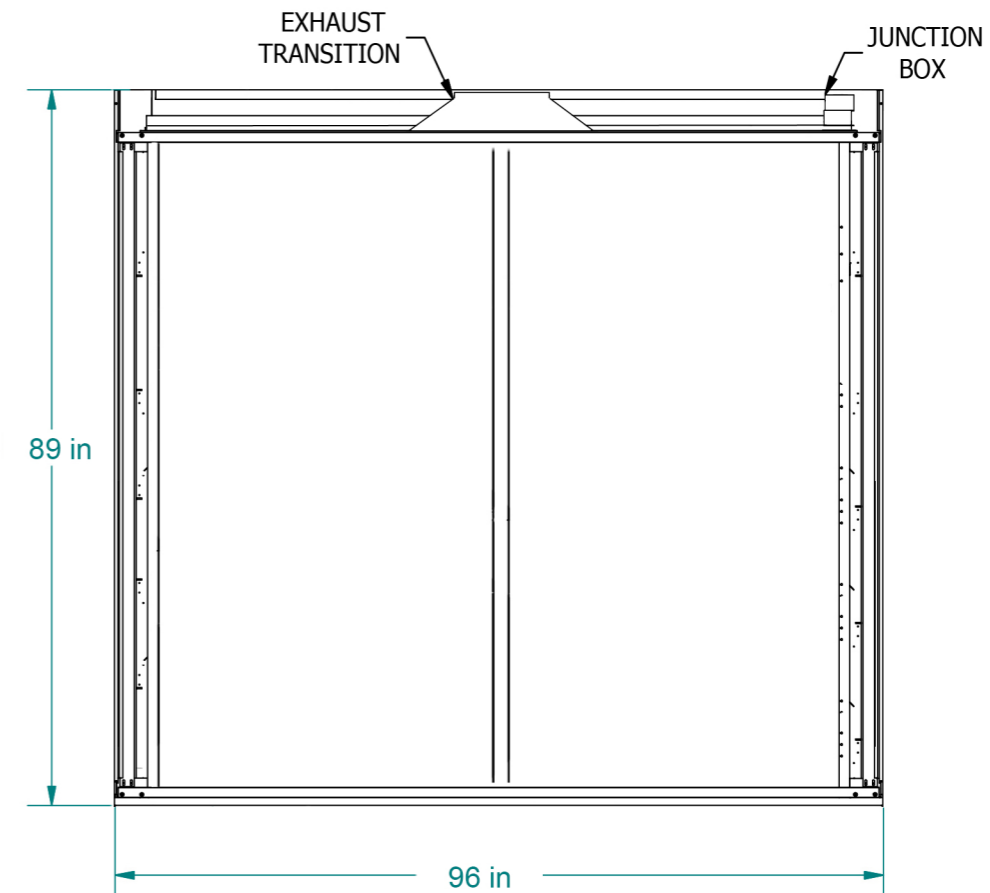
A



FRONT VIEW
SASH OPEN



RIGHT SIDE VIEW
SASH OPEN



BACK VIEW
SASH CLOSED

8' WALK-IN HOOD

FA FISHER AMERICAN **CLASSIFIED** **UL**

(815)-670-6400

4 3 2 1