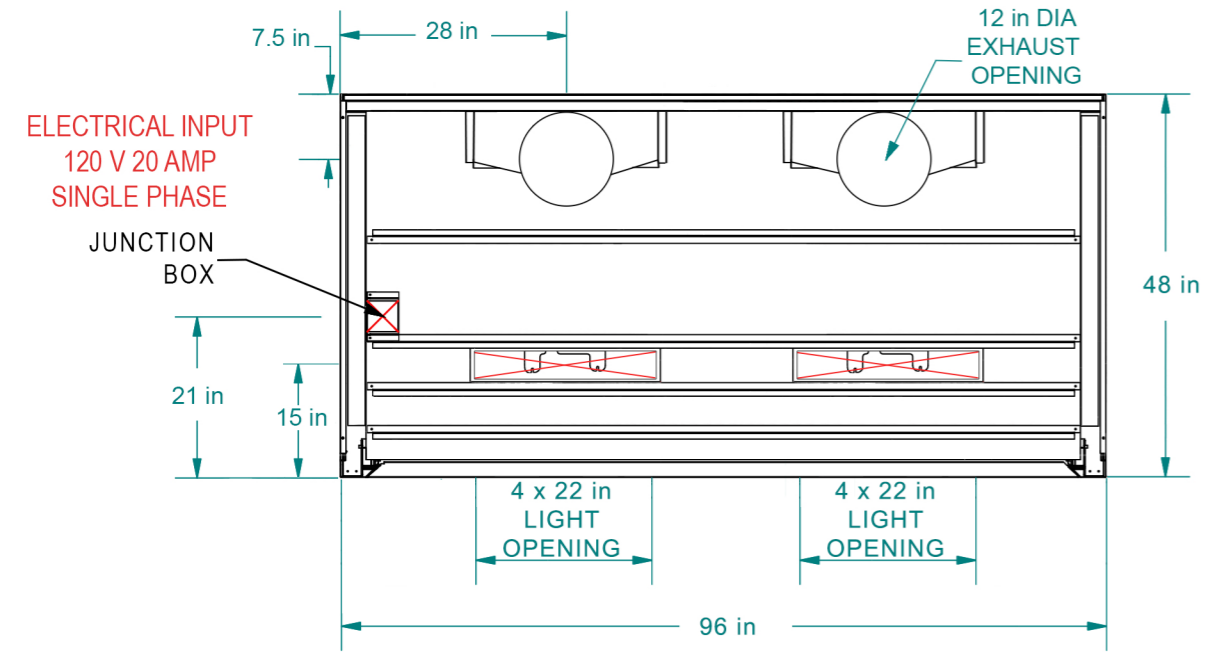
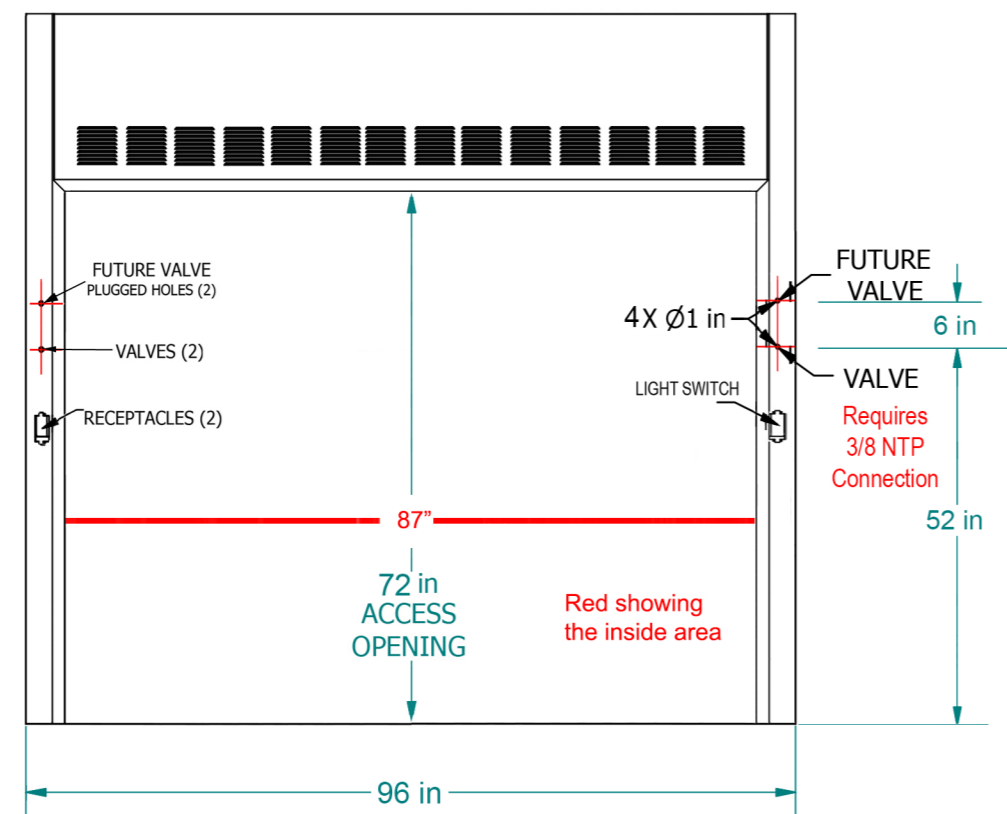
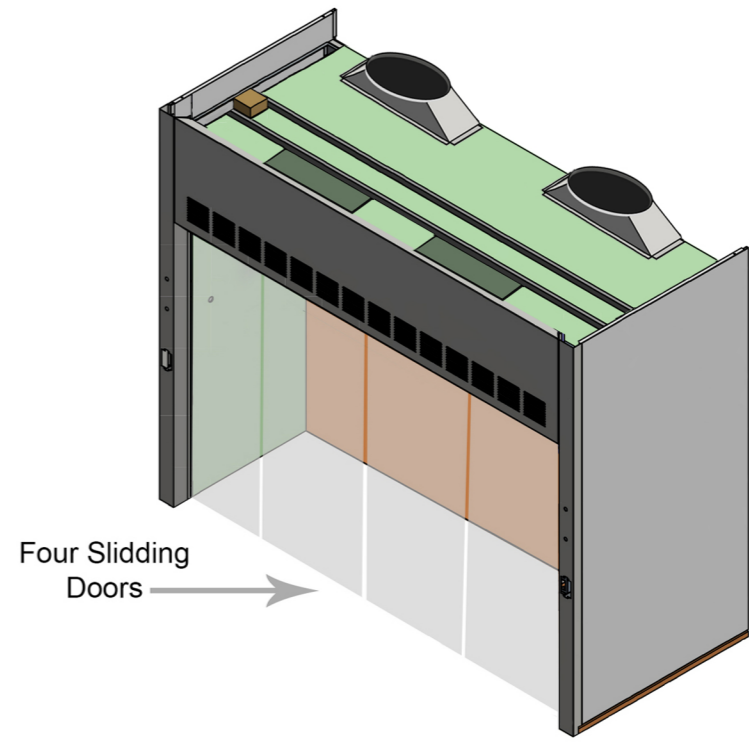


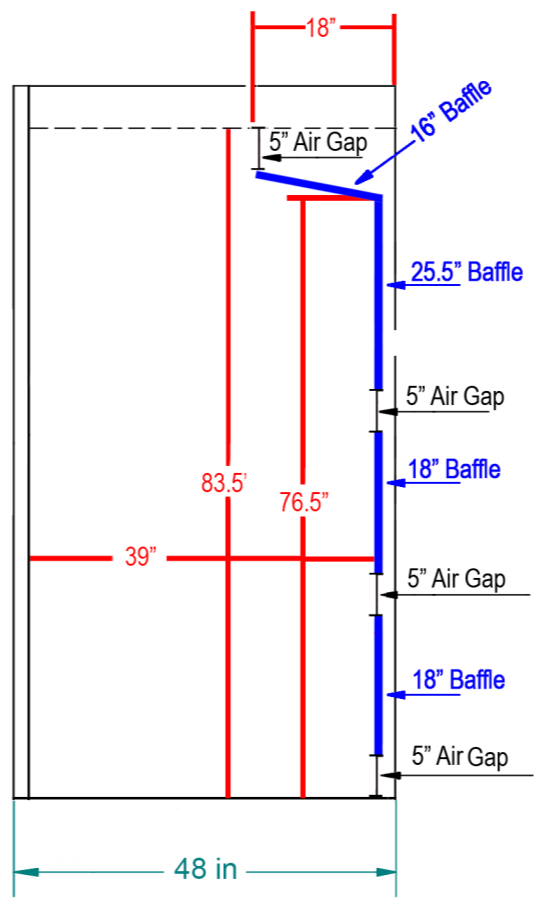
TOP VIEW



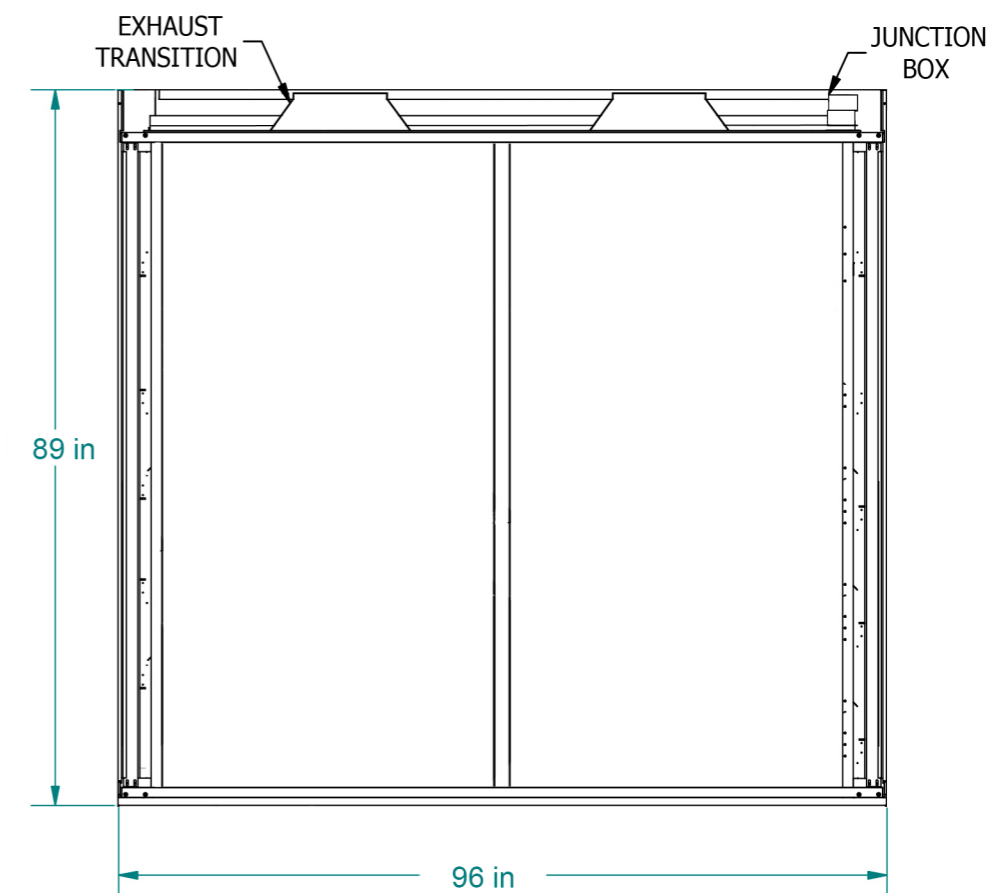
NOT TO SCALE



FRONT VIEW SASH OPEN



RIGHT SIDE VIEW SASH OPEN



BACK VIEW SASH CLOSED

8' x 4' WALK-IN HOOD

FA FISHER AMERICAN **CLASSIFIED** **UL**

(815)-670-6400