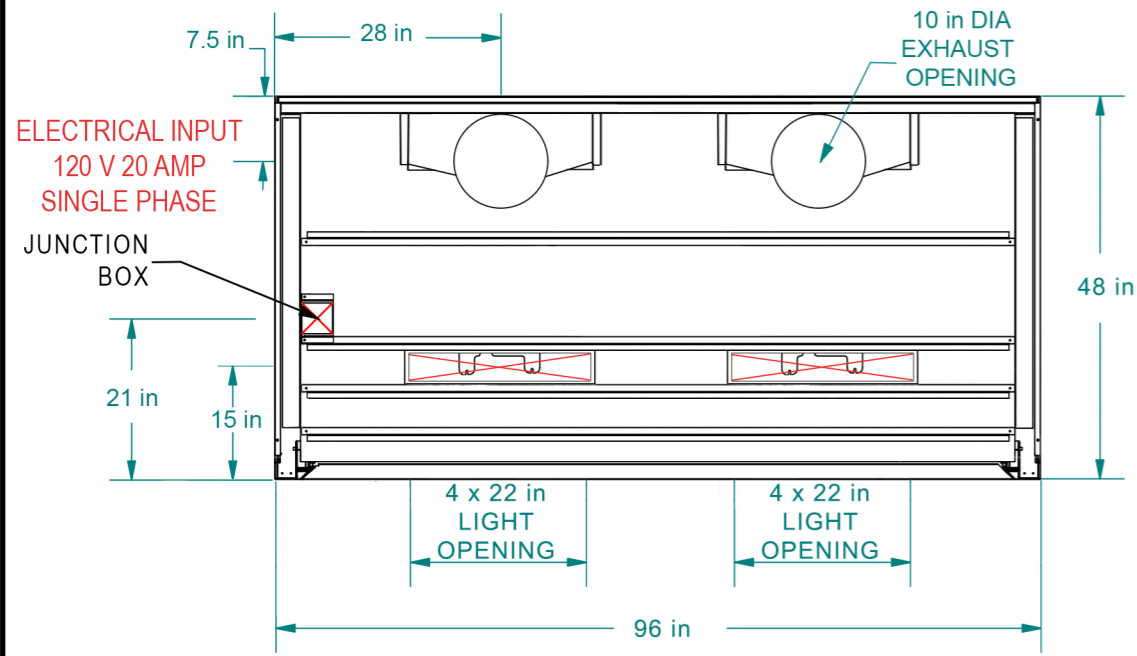
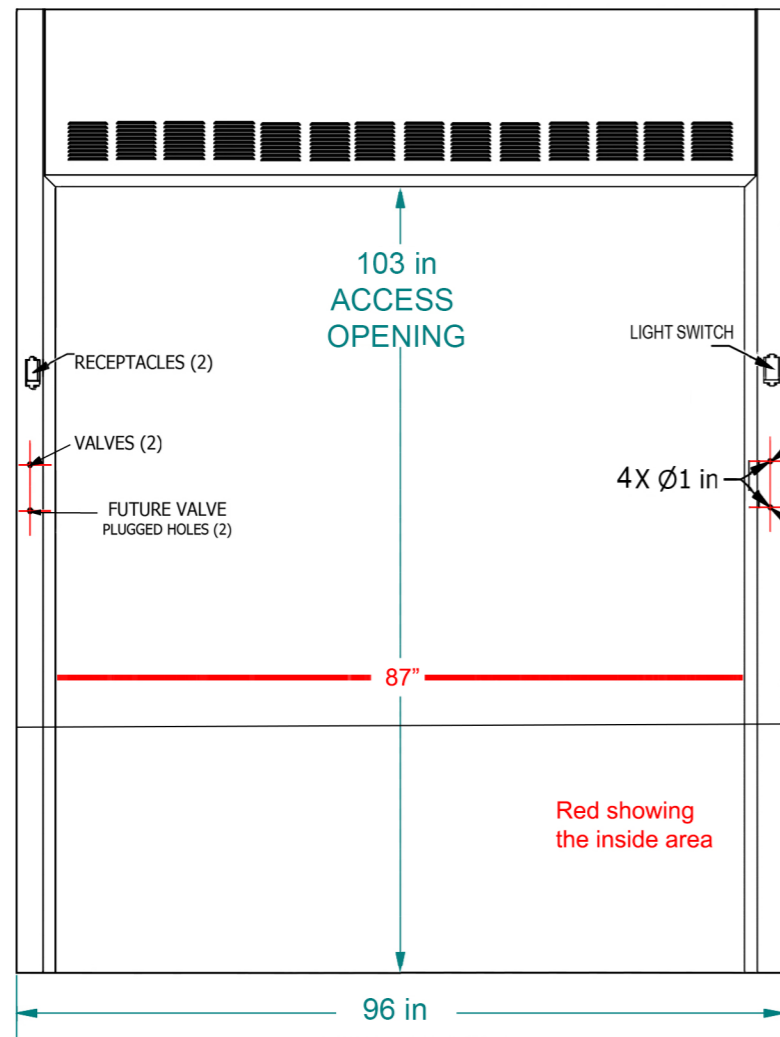
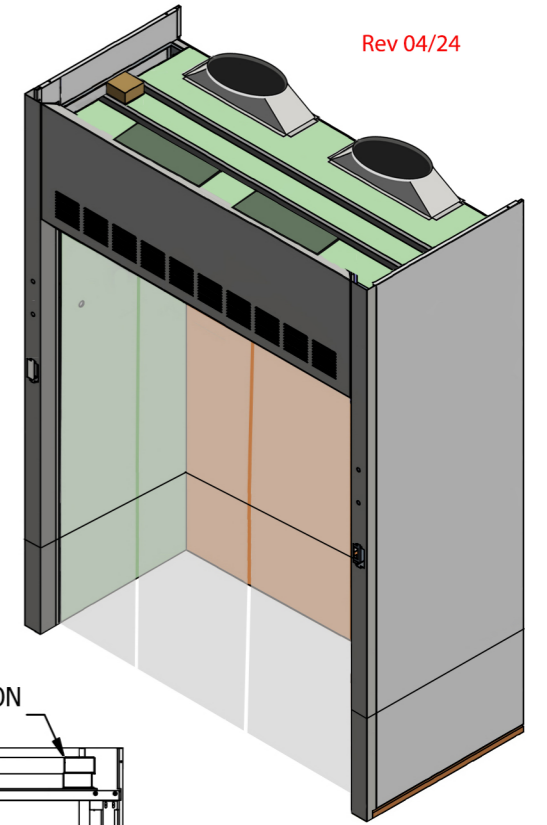


TOP VIEW



**NOT TO SCALE**

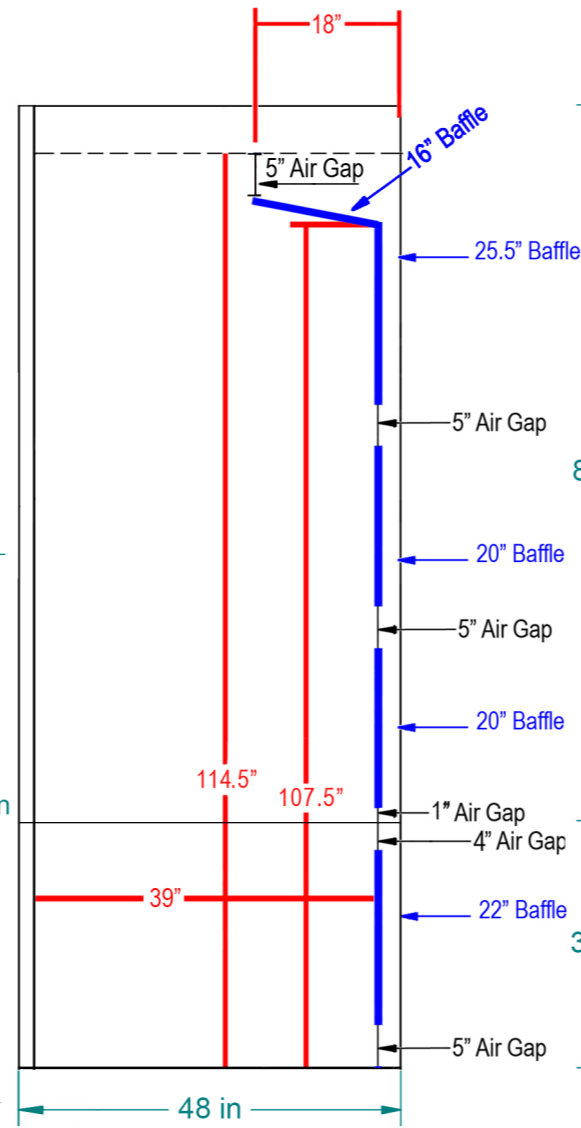
Rev 04/24



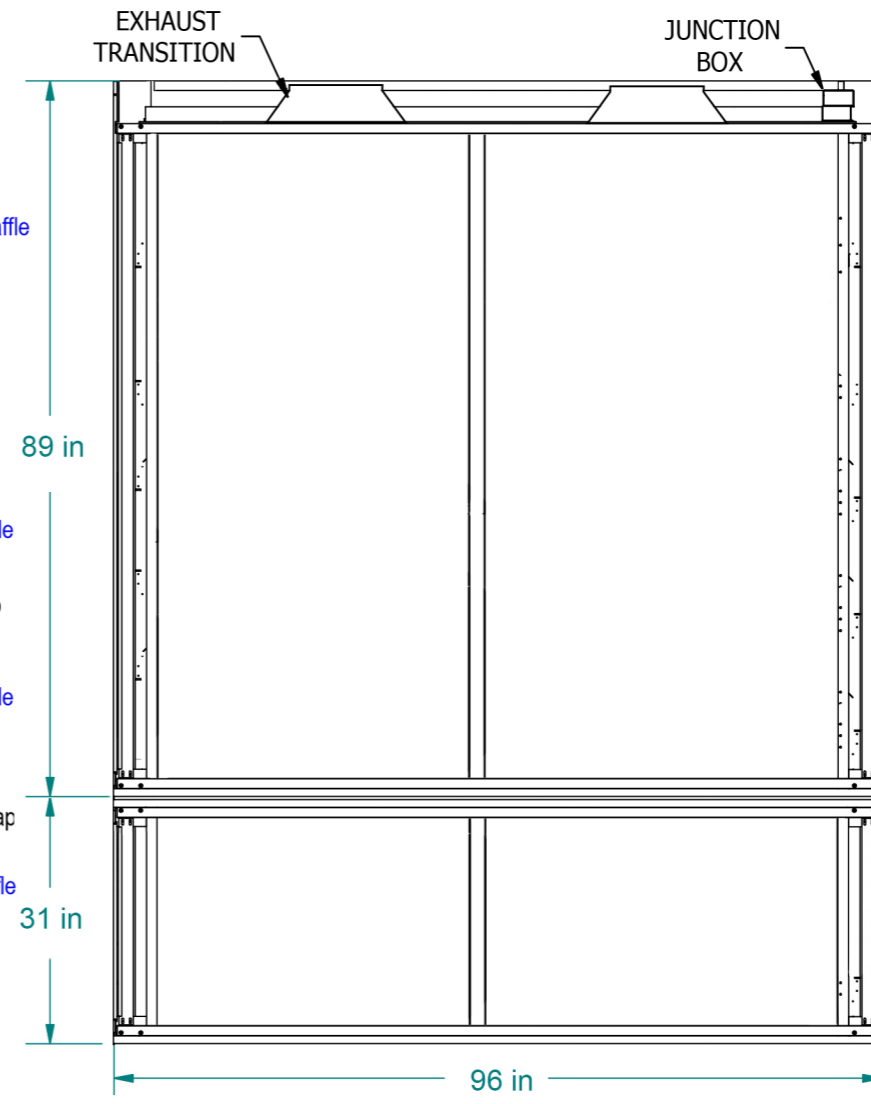
**FRONT VIEW  
SASH OPEN**

Red showing the inside area

VALVE  
6 in  
FUTURE VALVE  
Requires 3/8 NTP Connection



**RIGHT SIDE VIEW  
SASH OPEN**



**BACK VIEW  
SASH CLOSED**

8' x 4' x 10' WALK-IN HOOD



(815)-670-6400